



DESCRIPTION

The VENTS VK...U fans offer high performance ventilation in medium to high demand systems. The VK...U fans are suitable for a wide range of residential and commercial applications and are perfect ventilation solutions for the Hydroponics market. The fans deliver exceptional airflow performances even in high static pressure systems. The VENTS VK...U fans are specially designed for simple installation and years of maintenance free operation.

VENTS VK...U Series fans feature built-in temperature and speed controller, which start and stop the fan according to the set speed at the desired temperature. VENTS...VK Series fans are an ideal solution for intake and exhaust ventilation of premises where air temperature control is required such as in greenhouses. Simply set your desired operating temperature with one knob, your minimum speed with the other knob and let the fan do the rest.

Five year warranty.

CASING

The fans' casing is made of high quality UV-resistant plastic (UL94 certified plastic).

MOTOR

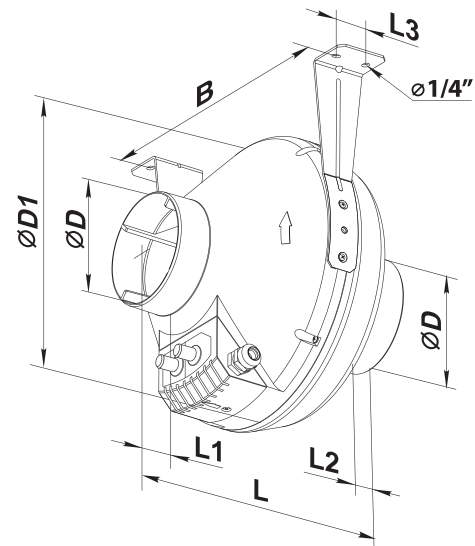
The fans are fitted with backward curved centrifugal impeller driven by powerful sealed external rotor motor with lifelong bearings and thermal protection.

SUITABLE FOR:

Fans are suitable for a wide range of residential and commercial exhaust or supply air applications as well as for horticulture and hydroponics.

DIMENSIONS

Model	Measurements [in.]							lbs
	ØD	ØD1	B	L	L1	L2	L3	
VK 100 U	3 15/16"	9 13/16"	10 5/8"	9 1/16"	1 3/16"	1 1/16"	1 3/16"	4.7
VK 125 U	4 15/16"	9 13/16"	10 5/8"	8 11/16"	1 3/16"	1 1/16"	1 3/16"	4.9
VK 150 U	5 7/8"	11 13/16"	12 3/16"	11 1/4"	1 3/16"	1 3/16"	1 3/16"	5.7
VK 200 U	7 7/8"	13 3/8"	13 15/16"	10 7/8"	1 3/16"	1 3/16"	1 9/16"	8.8
VK 250 U	9 13/16"	13 3/8"	13 15/16"	10 7/16"	1 3/16"	1 3/16"	1 9/16"	9.9
VK 315 U	12 3/8"	15 3/4"	16 5/16"	16 5/16"	1 9/16"	2 3/16"	1 9/16"	11.2



Tel: 888-640-0925 Sales@ventsus.com
 513-348-3853 VentsUS.com
 Fax: 513-268-4597 11013 Kenwood Road,
 Cincinnati, Ohio 45242





VK...U

PRODUCT SPECIFICATIONS

TECHNICAL DATA

INLINE CENTRIFUGAL FAN

PERFORMANCE

Model	Duct dia	Sones	RPM*	Watts*	CFM vs. Static Pressure (Ps) in WG										Volt / Hz
					0"	0.125"	0.2"	0.25"	0.375"	0.5"	0.75"	1.0"	1.25"	1.5"	
VK 100 U	4"	8.5	3088	106	162	155	150	147	141	134	120	104	87	67	120 / 60
VK 125 U	5"	7.1	2960	114	235	222	214	207	193	178	151	123	99	72	120 / 60
VK 150 U	6"	7.2	2907	113	317	300	289	282	265	247	212	178	132	68	120 / 60
VK 200 U	8"	8.1	3016	140	507	481	465	455	423	395	343	287	238	189	120 / 60
VK 250 U	10"	10.2	2604	293	735	699	675	658	625	558	507	432	369	307	120 / 60
VK 315 U	12 ^{3/8"}	11.5	2641	269	871	817	779	758	703	635	501	393	324	266	120 / 60

* The parameters RPM, Watts are indicated at 0.2 in. WG static pressure.

MODEL	QUANTITY	COMMENTS	PROJECT
			location:
			architect:
			engineer:
			contractor:
			submitted by:

Tel: 888-640-0925 Sales@ventsus.com
 513-348-3853 VentsUS.com
 Fax: 513-268-4597 11013 Kenwood Road,
 Cincinnati, Ohio 45242

