

## PRODUCT SPECIFICATIONS

## TECHNICAL DATA

## BACK VALVES



### DESCRIPTION

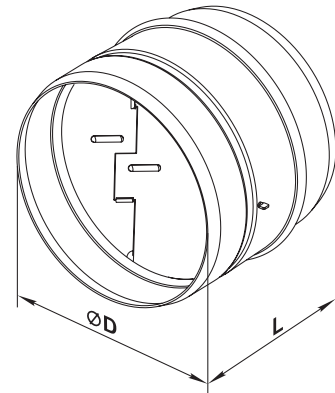
KOM U round back valve is especially designed to prevent backdraft. The spring loaded backdraft damper is manufactured of steel with polymeric coating or galvanized steel and contains rubber seal. KOM U back valve is installed in ventilation systems and ventilation ducts. It also prevents the entry of birds and other wildlife.

### SUITABLE FOR:

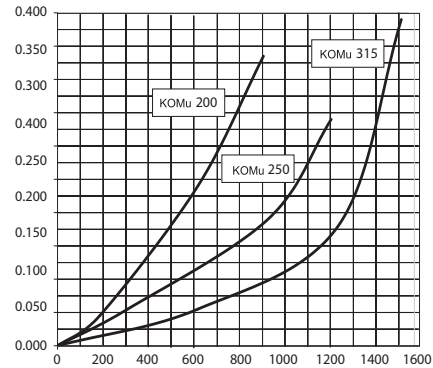
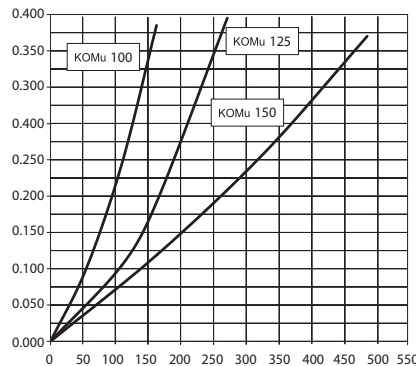
Bathroom / kitchen / apartments / cottages / small offices

### DIMENSIONS

| Model     | Measurements [in.] |          |
|-----------|--------------------|----------|
|           | Ø D                | L        |
| KOM U 100 | 3 7/8"             | 3 1/8"   |
| KOM U 125 | 4 7/8"             | 3 15/16" |
| KOM U150  | 5 7/8"             | 4 1/2"   |
| KOM U 200 | 7 13/16"           | 5 11/16" |
| KOM U 250 | 9 13/16"           | 6 1/2"   |
| KOM U 315 | 12 3/8"            | 7 1/2"   |



### DIAGRAMMS OF PRESSURE LOSS



| MODEL | QUANTITY | COMMENTS | PROJECT       |
|-------|----------|----------|---------------|
|       |          |          | location:     |
|       |          |          | architect:    |
|       |          |          | engineer:     |
|       |          |          | contractor:   |
|       |          |          | submitted by: |

Tel: 888-640-0925      Sales@ventsus.com  
 513-348-3853          VentsUS.com  
 Fax: 513-268-4597      11013 Kenwood Road,  
 Cincinnati, Ohio 45242

