



DESCRIPTION

Bucket Fans are effective in almost any commercial, educational, government or industrial building of 15 to 30 feet height. Attractive design, quiet operation, speed controllable and easy to install. You'll be knocked over and blown away by how inexpensive they are.

Installing Destratifiers near the cold air registers will actively direct the conditioned air where required, which results in tremendous energy savings.

Two year warranty.



CASING

Fan's body is made of steel with polymeric coating, while impeller is made of aluminum.

MOTOR

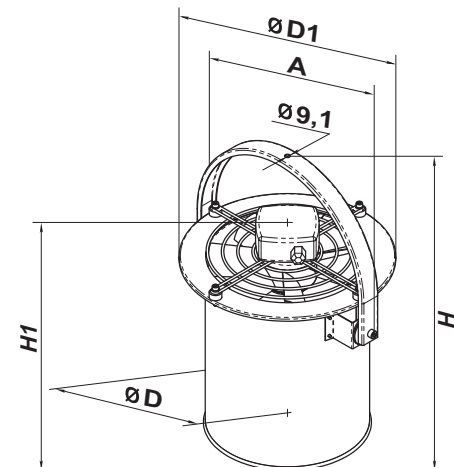
Asynchronous motor on ball bearings and thermal protection ensure the safe and smooth operation.

SUITABLE FOR:

Commercial, educational, government or industrial buildings.

DIMENSIONS

Model	Measurements [in.]					Weight [lbs]
	Ø D	Ø D1	H	H1	A	
Bucket Fan 420	10 3/16"	13 7/16"	20 3/16"	15 3/16"	15 3/16"	6.6
Bucket Fan 1055	12 3/16"	15 7/16"	23 7/8"	17 3/16"	17 1/4"	11
Bucket Fan 1460	14 3/16"	17 7/16"	27 5/16"	20 5/16"	19 3/16"	13.2





BF

PRODUCT SPECIFICATIONS

TECHNICAL DATA

BUCKET FAN

PERFORMANCE

Model	RPM	Sones	Max Watts	Max Amps	Airflow CFM (L/s)	Air flow speed depending on Bucket fan distance point (ft), fpm										Volts/Hz	
						3	6	10	13	15	20	23	25	30	33		35
Bucket Fan 420	1700	9.8	60	0.51	420 (198)	378	270	220	156	90	60	20	-	-	-	-	120/60
Bucket Fan 1055	1675	11.3	94	0.8	1055 (498)	918	594	380	234	162	120	79	38	20	-	-	120/60
Bucket Fan 1460	1685	14.9	162	1.38	1460 (689)	1100	756	760	468	324	300	217	169	120	59	19	120/60

Noise level vs. Bucket Fan hanging height [sones]

	Bucket Fan 420	Bucket Fan 1055	Bucket Fan 1460
20'	2.1	2.0	2.2
25'	1.9	1.6	1.9
30'	-	1.5	1.6
40'	-	-	1.5

MODEL	QUANTITY	COMMENTS	PROJECT
			location:
			architect:
			engineer:
			contractor:
			submitted by:

Tel: 888-640-0925
513-348-3853
Fax: 513-268-4597

Sales@ventsus.com
VentsUS.com
11013 Kenwood Road,
Cincinnati, Ohio 45242



2013-03