

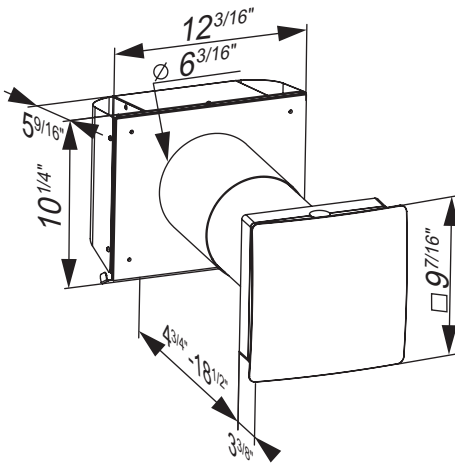
DESCRIPTION

TwinFresh RA1-50-2 is the Single Room Ventilation Solution. One TwinFresh unit can serve rooms up to 343 SQFT. Recovers heat and moisture to reduce heating costs in winter and air conditioning costs in summer. Wishper quiet operation, as low as 0.2 SONES.

DESIGN

Aluminium or stainless steel outer hood: Modern design that fits any interior and exterior / 100% corrosion proof.
 Plug-&-Play installation: No special skills required / No balancing needed / Through the wall installation. Compact unit design.
 Multifunctional Wireless Remote Control.
 Almost no maintenance required: Washable filter and core.
 MERV6 air purification.
 Antibacterial treatment of ERV core and filters.
 Automatic shutters.

DIMENSIONS



MOTOR

EC-motor with efficacy 5.7 CFM/W

SUITABLE FOR:

Bathroom / kitchen / apartments / cottages / small offices

PERFORMANCE

Model	ARE @32°F	Speed	RPM	Sones @3 m	Watts	Amps*	CFM	Tranported air temp. [°F]	Volts / Hz
TwinFresh Comfo RA1-50-2	90%	1	610	0.2	3.8	0.024	8	From -4 up to 122	120 / 60
		2	800	0.4	3.96	0.026	16		
		3	1450	0.5	5.61	0.039	32		

Tel: 888-640-0925 Sales@ventsus.com
 513-348-3853 VentsUS.com
 Fax: 513-268-4597 11013 Kenwood Road,
 Cincinnati, Ohio 45242





TwinFresh Comfo RA1-50-2

**PRODUCT
SPECIFICATIONS**

**TECHNICAL
DATA**

SINGLE ROOM ERV UNITS

MODEL	QUANTITY	COMMENTS	PROJECT
			location:
			architect:
			engineer:
			contractor:
			submitted by:

Tel: 888-640-0925 Sales@ventsus.com
 513-348-3853 VentsUS.com
 Fax: 513-268-4597 11013 Kenwood Road,
 Cincinnati, Ohio 45242

