

INSTALLATION GUIDE

INLINE MIXED-FLOW FANS IN SOUND-INSULATED CASING

TT SILENT M 100/125/150/160/200/250/315



Tools required



Pencil



Drill



Screwdriver



Dowel (4 pcs.)



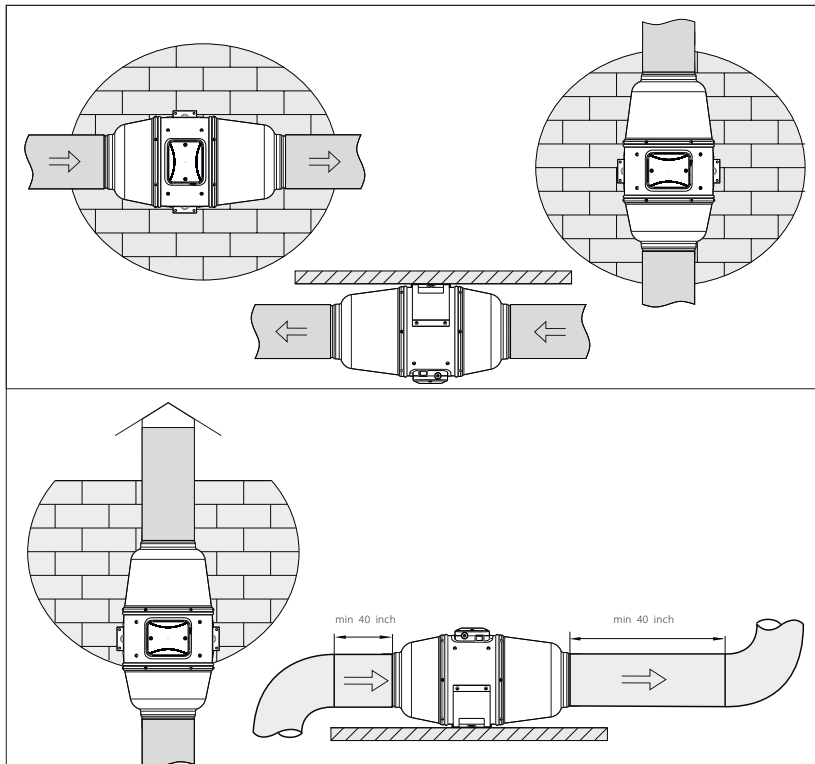
Screws (4 pcs.)

MOUNTING

While mounting the fan provide extra protection against water ingress.

Connect an air duct on both sides of the fan .

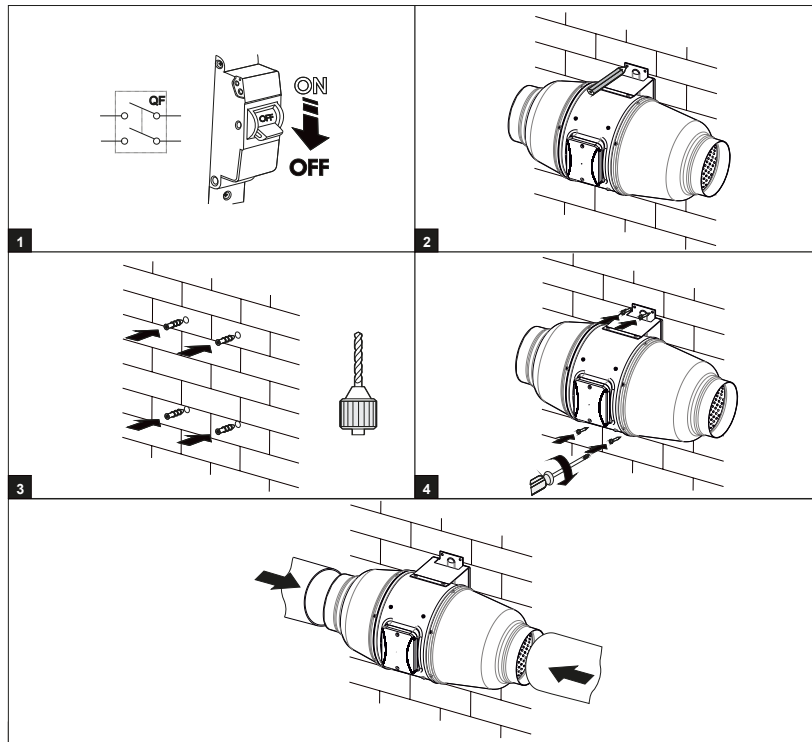
We recommend minimum 40" of insulated flexible duct between any exhaust grill and fan for low noise level . .



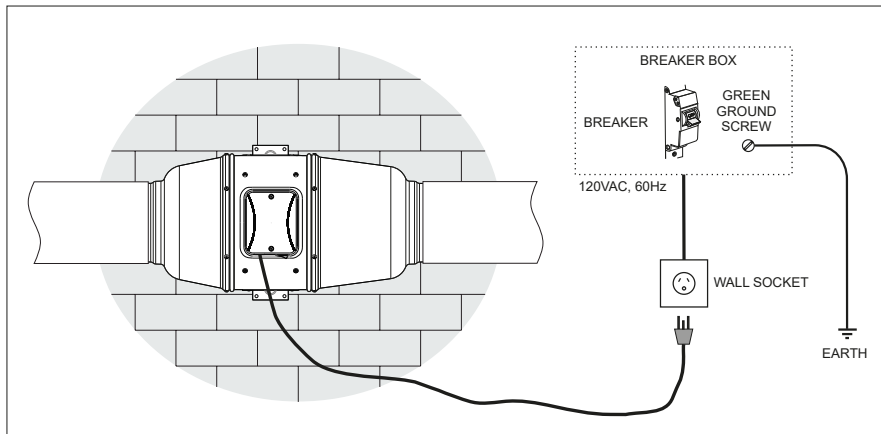
www.ventsus.com

Bodor Vents, LLC DBA: VENTS-US
 11013 Kenwood Road Cincinnati, Ohio 45242
 Phone: (513)348-3853
 e-mail: sales@ventsus.com

- 1) Disconnect the fan from power supply.
- 2) Mark holes on the wall.
- 3) Drill the holes and insert the expansion anchors.
- 4) Fix the fan.
- 5) Connect air ducts



Connection of the fan and standard wall socket



The fan must be connected using durable, insulated and heat-resistant cables and wires.

- 1) Disconnect the fan from power supply.
- 2) Remove the cover from the terminal block.
- 3) Remove the cable clamp.
- 4) Connect the cables according, install the cable clamp.
- 5) Install the terminal block cover
- 6) Connect the fan from power supply.

