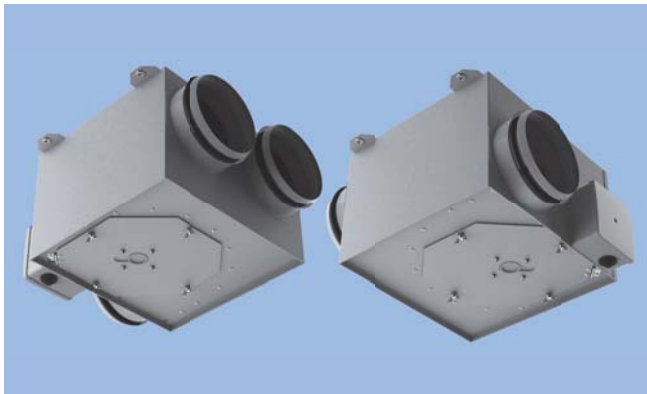


VKPF SERIES

CENTRIFUGAL IN-LINE FANS



VKPF fans are specially designed for extract and input ventilation and are perfect air movement solution for areas with tight spaces. It provides airflow up to 205 CFM. **VKPF** series is suitable for a wide range of residential and light commercial applications such as high-rise condominium, office buildings, schools, boardrooms etc. The fans offer a variety of choices of extract and input ventilation options and enables ducting from multiple sources.

Excellent aerodynamics & Low noise

The external rotor motor on ball bearings and the forward curved, balanced impeller is suitable for high pressure application, prevent vibration and assure quiet operation.

Housing

The fan's housing is made of galvanized steel. Available with two inlets.

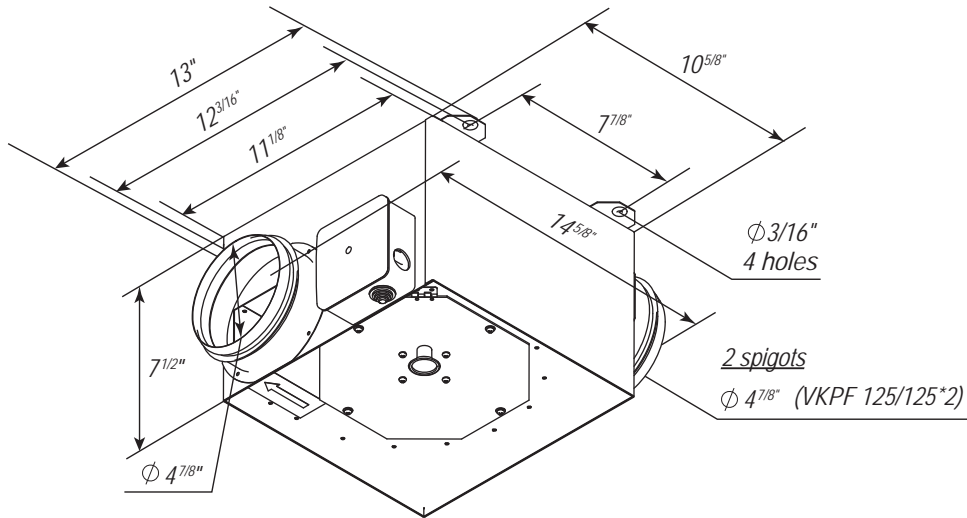
Installation benefits

Suitable for low ceilings and tight spaces.



Installation example

Dimensions



Performance

Model	Duct dia	Max Watts*	Max Amps*	CFM vs. Static Pressure (Ps) in WG										Max. Ps	Volts / Hz
				0"	0.1"	0.2"	0.3"	0.4"	0.5"	0.6"	0.7"	0.8"	0.9"		
VKPF 125/125*2	5"	66	0.58	205	195	183	173	160	133	110	60	0	0.8	120 / 60	

* Indicated at 0.2 in.W.G.

Specification

Voltage: 120 V, 60 Hz
 Motor: Single-phase asynchronous motor
 Duct compatibility: Φ 5"
 Airflow capacity: up to 205 CFM
 Power consumption: 66 W

Suitable for working airstreams up to 13-140 °F
 IPX4 protection
 Thermal overload protection
 Five year warranty

Contacts

Tel: 888-640-0925 Tel: 513-348-3853
 Fax: 513-268-4597
sales@VentsUS.com
VentsUS.com
 11013 Kenwood Road Cincinnati, Ohio 45242

VENTS – US reserves the rights to modify any of its products features, designs, components, and specifications at any time and without notice to maintain the development and quality of manufactured goods.

