

DESCRIPTION

VKPF fans are specially designed for extract and input ventilation and are perfect air movement solution for areas with tight spaces. It provides small to medium airflow. From 164 CFM to 250 CFM. VKPF series is suitable for a wide range of residential and light commercial applications. The fans offer a variety of choices of extract and input ventilation options and enables ducting from multiple sources.

IPX4 Protection / Thermal Overload Protection.

Five year warranty.

CASING

The fan's housing is made of galvanized steel.

MOTOR

The external rotor motor on ball bearings and the forward curved, balanced impeller is suitable for high pressure application, prevent vibration and assure quiet operation.

SUITABLE FOR:

Residential and light commercial applications.

DIMENSIONS

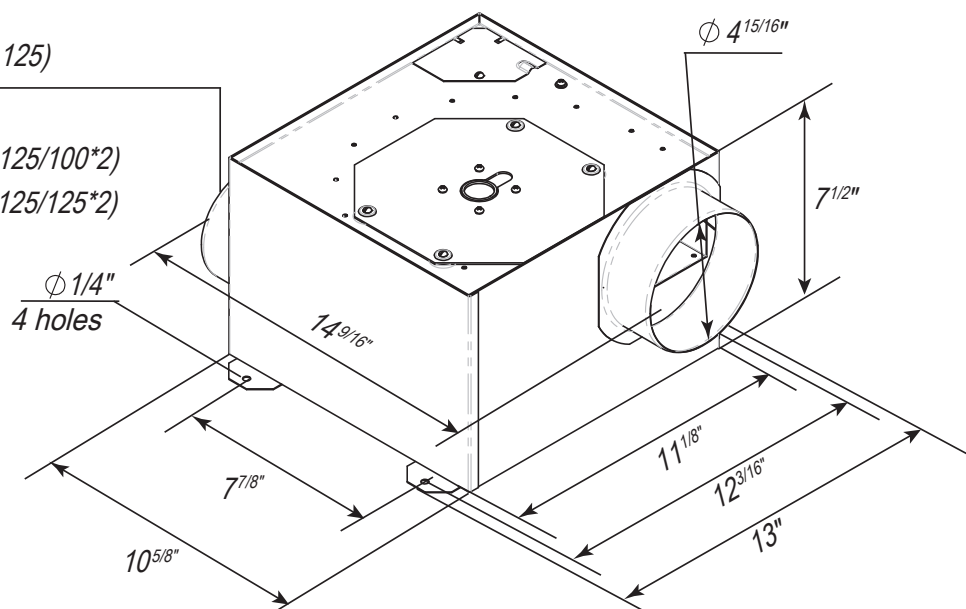
1 spigot

ϕ 4 ⁷/₈" (VKPF 125)

2 spigots

ϕ 3 ⁷/₈" (VKPF 125/100*2)

ϕ 4 ⁷/₈" (VKPF 125/125*2)





VKPF

PRODUCT SPECIFICATIONS

TECHNICAL DATA

CENTRIFUGAL FAN

PERFORMANCE

Model	Duct dia	Max Watts*	Max Amps*	CFM vs. Static Pressure (Ps) in WG						Max. Ps	Volts
				0"	0.125"	0.2"	0.25"	0.5"	0.75"		
VKPF 125	5"	59	0.5	164.1	152	143.2	138	97	30	0.8	120
VKPF 125/100*2	5 1/4"	69	0.6	210	192.5	183.5	177.5	135	32	0.79	120
VKPF 125/125*2	5 1/5"	81	0.7	250.3	235	225	217.5	170	70	0.89	120

*Performance ratings do not include the effects of appurtenances (accessories).

MODEL	QUANTITY	COMMENTS	PROJECT
			location:
			architect:
			engineer:
			contractor:
			submitted by:

Tel: 888-640-0925
513-348-3853
Fax: 513-268-4597

Sales@ventsus.com
VentsUS.com
11013 Kenwood Road, Cincinnati,
Ohio 45242



2014-01