



Fresh air in your house!



VK PS Series *For Dryer Boost Application*

DRYER BOOSTER FANS



The VENTS VK PS Series dryer booster fan has been specially designed to solve dryer vent problems where more airflow is needed.

The VENTS VK PS dryer booster fans assure efficient and reliable operation. The pre-installed pressure switch allows the VK PS fan to run only when it senses that the dryer is on. The controller cycles the fan until the dryer has stopped. The fans are fitted with backward curved centrifugal impeller, which allows lint not to get stuck in the fan. The VENTS VK PS fans are driven by powerful sealed external rotor motor with lifelong bearings and thermal protection. This powerful combination enables the VENTS VK PS fans to deliver exceptional airflow performances even n long duct runs. The fans' casing is made of high quality, UV-resistant plastic (UL94 certified plastic). The VENTS VK PS fans are specially designed for simple installation and years of maintenance free operation.

Applications

VK PS Series fans are designed to solve dryer vent problems where more airflow is needed.

Benefits

- Pressure switch for fan activation included
- Sizes available from 4" - 6"
- High static pressure applications
- Backward curved centrifugal impeller
- Quiet external rotor motor with thermal overload protection
- Ideal for long duct runs
- Quiet and powerful
- Vibration free operation
- Energy efficient
- Maintenance free
- Easy installation
- Corrosion resistant
- UV resistant, UL94 certified plastic
- Pre-wired and supplied with mounting bracket for easy installation
- ETL listed



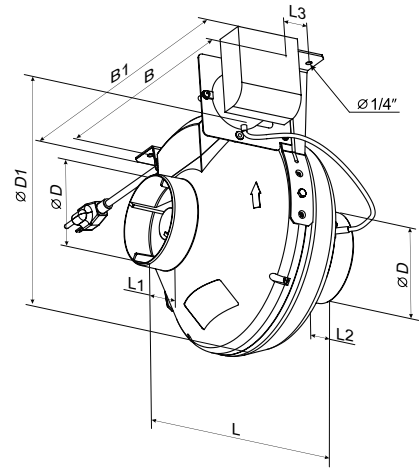
Tel: 888-640-0925
513-348-3853
Fax: 513-268-4597

Sales@ventsus.com
VentsUS.com
11013 Kenwood Road,
Cincinnati, Ohio 45242



Dimensions

Model	Measurements [in.]									lbs
	ØD	ØD1	B	B1	L	L1	L2	L3		
VK PS 100	3 15/16"	9 13/16"	10 5/8"	13 3/8"	9 1/16"	1 3/16"	1 1/16"	1 3/16"	4.7	
VK PS 125	4 15/16"	9 13/16"	10 5/8"	13 3/8"	8 11/16"	1 3/16"	1 1/16"	1 3/16"	4.9	
VK PS 150	5 7/8"	11 13/16"	12 3/16"	13 3/8"	11 1/4"	1 3/16"	1 3/16"	1 3/16"	5.7	



Performance

Model	Duct dia	Sones	RPM*	Watts*	CFM vs. Static Pressure (Ps) in WG											Volt / Hz
					0"	0.125"	0.2"	0.25"	0.375"	0.5"	0.75"	1.0"	1.25"	1.5"		
VK PS 100	4"	8.5	3088	106	162	155	150	147	141	134	120	104	87	67	120 / 60	
VK PS 125	5"	7.1	2960	114	235	222	214	207	193	178	151	123	99	72	120 / 60	
VK PS 150	6"	7.2	2907	113	317	300	289	282	265	247	212	178	132	68	120 / 60	

* The parameters RPM, Watts are indicated at 0.2 in WG static pressure.

Specification

Voltage: 120 V, 60 Hz

Motor: Single-phase external rotor motor with backward curved centrifugal impellers

Duct compatibility: Ø 4", 5", 6"

Airflow capacity: up to 317 CFM

Sones: 7.1 – 8.5

Power consumption: 106 – 114 W

Suitable for working airstreams up to 149 °F

IPX4 protection

Thermal overload protection

Pressure switch, mounting bracket and power cord included

Five year warranty

Contacts

Tel: 888-640-0925

513-348-3853

Fax: 513-268-4597

Sales@ventsus.com

VentsUS.com

11013 Kenwood Road, Cincinnati, Ohio 45242

VENTS-US reserves the rights to modify any of its products features, designs, components, and specifications at any time and without notice to maintain the development and quality of manufactured goods.

