

INSTALLATION GUIDE

AIR HANDLING UNIT WITH HEAT RECOVERY MICRA 150



INSTALLATION

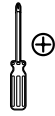
Tools required



Pencil



Drill 2 Ø 1/4"



Screwdriver



Dowel Ø8 (Ø 5/16"), 80 mm (3 1/7")
4 pcs.



Screws Ø 8 (Ø 5/16"), 80 mm (3 1/7")
4 pcs.

MOUNTING

Mount the unit to provide enough access for maintenance or repair operations.

The wall for mounting must have even surface. Any surface irregularities will lead to unit casing skew and may prevent the unit from operating properly. The minimum distances from the unit to the mounting surfaces are shown in fig. 1.

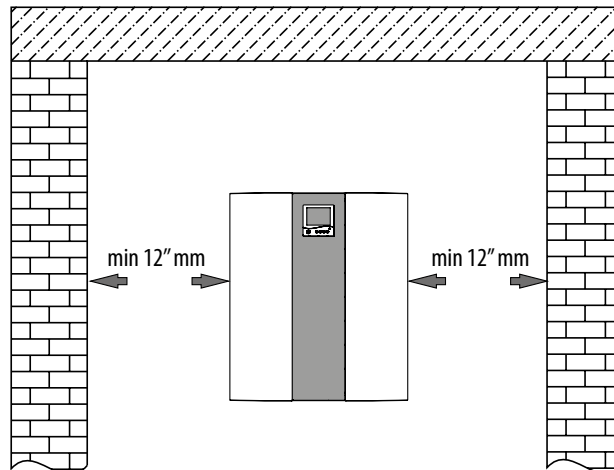
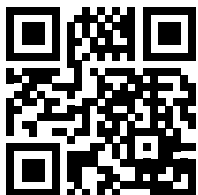


Fig. 1. Minimum distance from the unit to the surfaces



The unit is designed for installation directly in the premise to be ventilated. Prior to starting mounting operations mark and bore holes in the wall with the master plate, fig. 2.

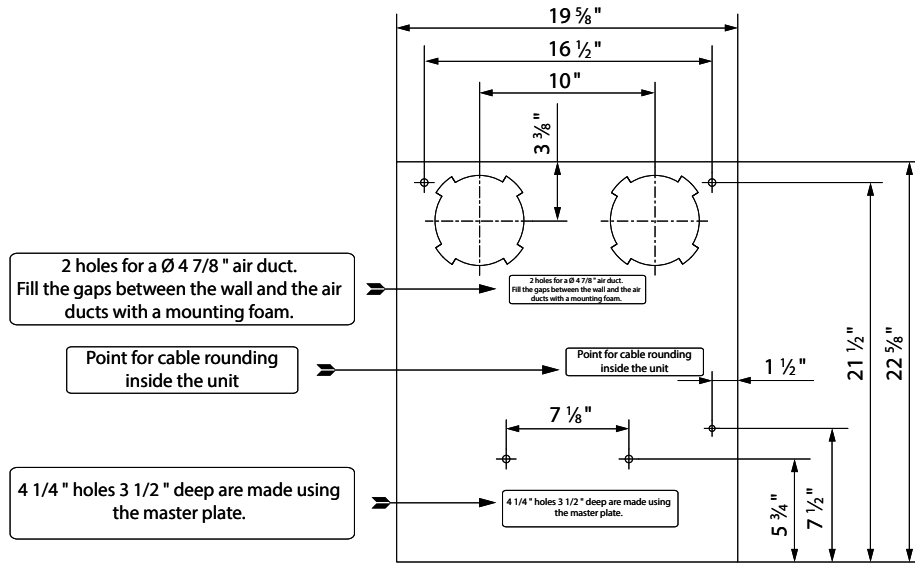
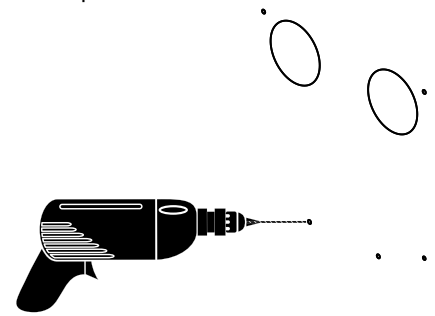
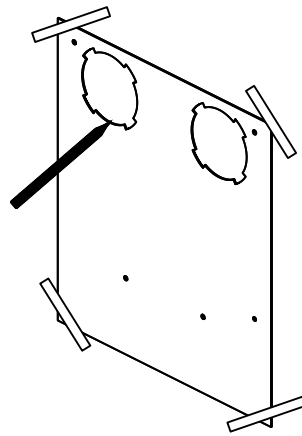
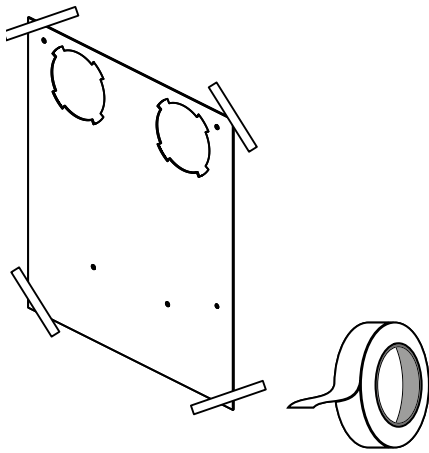
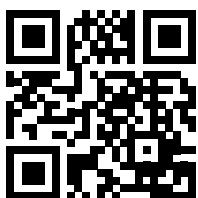
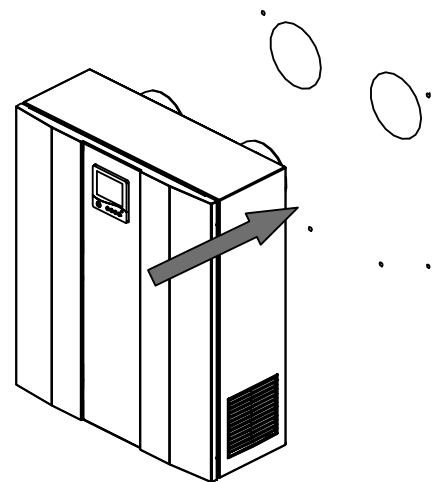
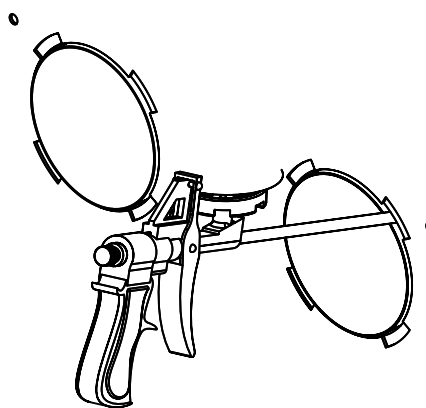
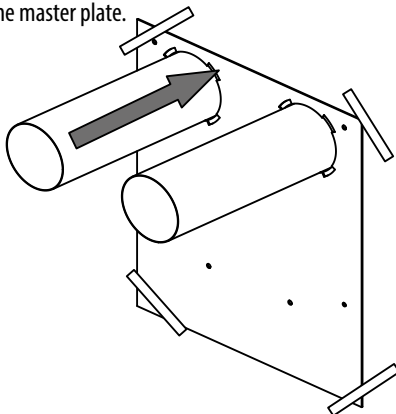


Fig. 2 Master plate

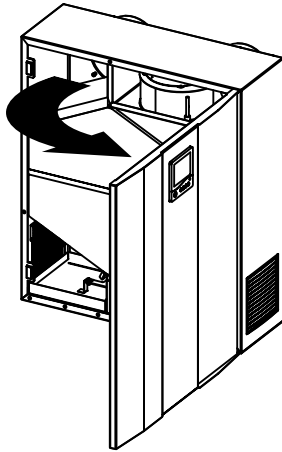
1. Fix the master plate on the wall with a self-adhesive tape at required level.
2. Indicate two marks for two holes $\text{Ø } 51/8''$ for air ducts and four holes $\text{Ø } 1/4''$ for the unit fasteners.
3. Take off the master plate and drill through holes for the air ducts and 3 1/2" deep holes for the unit fasteners. Insert the expansion anchors, remove the perforated fillers for the air ducts from the master plate and re-install the master plate back using a self-adhesive tape.



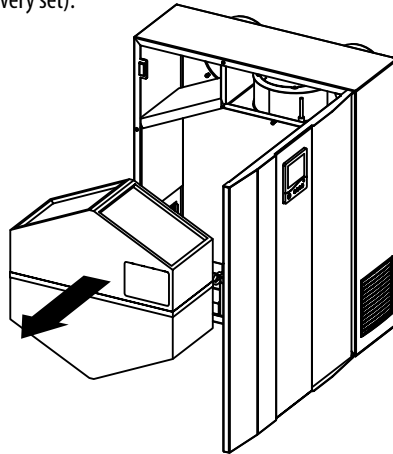
4. Fix the outer ventilation hood (not included) or $\text{Ø } 47/8''$ ventilation grille on the outer wall of the building.
5. Insert the air ducts into the respective openings of the master plate.
6. Fill the spaces between the air ducts and the wall with a mounting foam through the holes in the master plate.
7. Insert the unit spigots into the air ducts.



8. Open the access door of the unit and remove the heat recovery core.



9. Drill 2 \varnothing 1/4" holes in the wall and mount the unit onto it using screws and expansion anchors (included into delivery set).



10. Install the heat recovery core and close the access door.

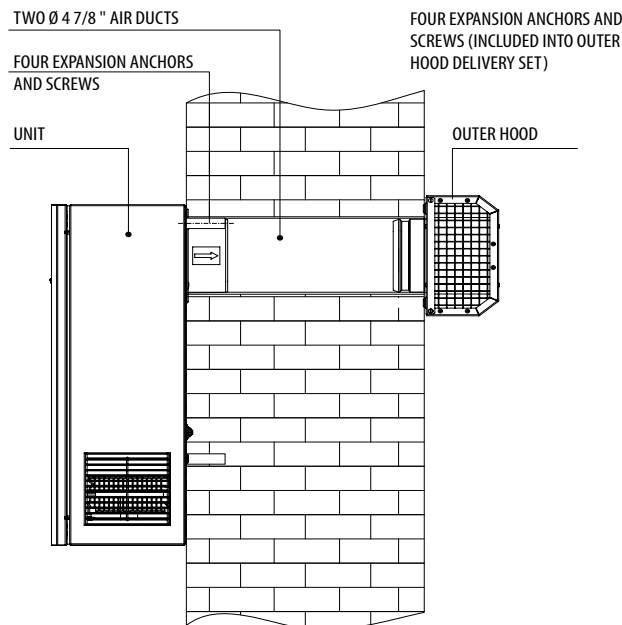
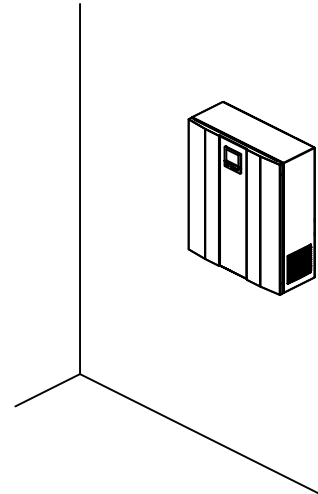


Fig. 3. Unit mounting

CONNECTION TO POWER MAINS

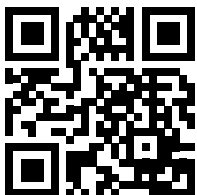
DISCONNECT THE UNIT FROM THE POWER MAINS PRIOR TO ANY OPERATIONS.
 THE UNIT MUST BE PLUGGED INTO A PROPERLY INSTALLED POWER SOCKET WITH AN EARTHED TERMINAL.
 THE RATED ELECTRICAL PARAMETERS OF THE UNIT ARE SHOWN ON THE RATING PLATE.
 ANY TAMPERING WITH THE INTERNAL CONNECTIONS IS PROHIBITED AND WILL VOID THE WARRANTY.

The unit is designed for connection to 120 V / 60 Hz power supply source.

The unit is supplied with a power cable and a plug. The unit must be connected to power mains through a grounded power socket compliant with IEC 60884-1. The power cable is pre-wired to the terminal block X1 by the manufacturer, fig. 4.

Connect the unit to power mains through the external automatic circuit breaker integrated into the fixed wiring system. Install the circuit breaker to have a free quick access in case of need to turn the unit off promptly.

The circuit breaker trip current must be in compliance with the current consumption. The recommended circuit breaker rated current is 2.5 A. While selecting the automatic circuit breaker consider the maximum wire temperature that depends on the wire type, insulation, length and layout way (open wire mounting, channel type or wall-mounted).



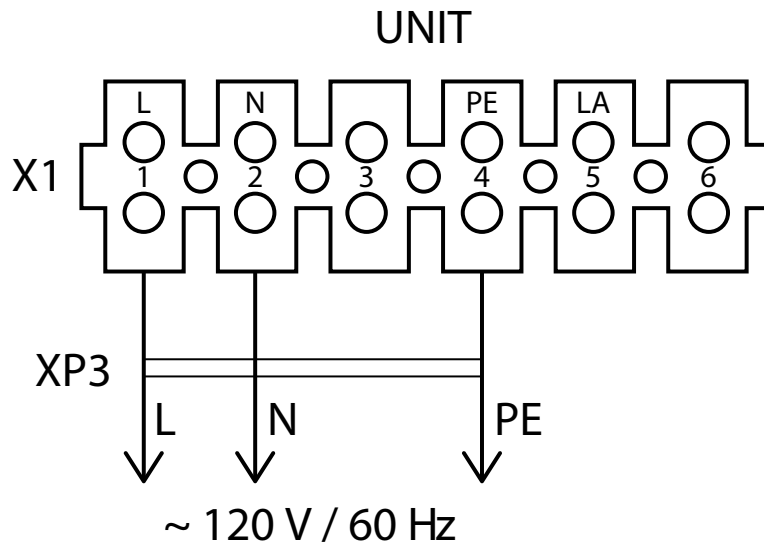


Fig. 4. Power cable connection to terminal block

