



Fresh air in your house!



# Bathroom EXHAUST KITS

## QUIET AND POWERFUL BATHROOM VENTILATION



Tel: 1-888-640-0925    Tel: 513-348-3853  
Fax: 513-268-4597  
sales@VentsUS.com  
VentsUS.com  
11013 Kenwood Road, Cincinnati, Ohio 45242



# VENTS Bathroom Exhaust Kits

The ideal solution for simple exhaust ventilation without noise over your head

- Fans with 2 speed motor
- Low noise

- High airflow
- Compact size

- Easy mounting & cleaning
- 5 year warranty

## Choose the right VENTS Kit:

The following recommendations are provided according to the guidelines of the Home Ventilating Institute (HVI):

### BATHROOM FAN SIZING GUIDELINE

$$S = W \times L$$

(Bathroom area (sq. ft) = Length (ft) × Width (ft))

**If it's 100 sq. ft or smaller:**  
you need 1 CFM per 1 sq. ft

**Example 1:**  
10' Length x 7' Width = 70 sq. ft of the bathroom area.  
You need a 70 CFM fan for this bathroom

**If it's over 100 sq. ft:**

- airflow 50 CFM must be provided for each standard toilet, tub, shower or steam shower.
- airflow 100 CFM must be provided for each whirlpool, garden and hot tubs.

**Example 2:**  
1 Toilet +1 Shower +1 Whirlpool = 50 + 50 + 100 = 200 CFM  
You will need a 200 CFM fan for this bathroom

## VENTS Bathroom Kit INSTALATION EXAMPLE

VENTS Bathroom Kit is the best way to arrange extract ventilation or replace an old noisy ceiling fan in your house. Installed away from the living space, VENTS bathroom kits offer powerful, yet silent ventilation solutions. Each kit consists of a plastic ceiling diffuser with the option of a built in LED light, a powerful inline fan, galvanized steel housing with damper and mounting brackets. VENTS offers kits for dual bathroom applications that features two galvanized steel housing with grille and a Y-Adapter.

### Bathroom air exhaust



Single ventilation kit installation



Dual ventilation kit installation

# Choose your kit

## TT SILENT KIT 100-1L



- TT Silent 100 (110 CFM)
- H-100L (LED light)

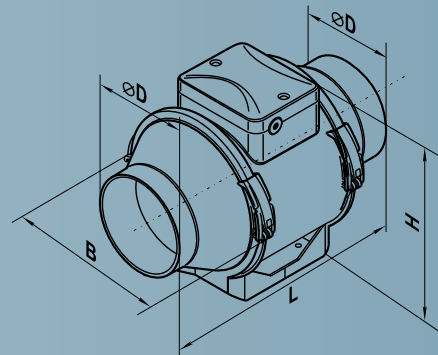
## TT SILENT KIT 150 DUO-2L



- TT Silent 150 (299 CFM)
- 2 H-100L (LED light)
- TMY 150/100 Zn

### Dimensions

Model	Measurements [in.]				lbs
	Ø D	B	H	L	
TT Silent 100	3 13/16"	7 11/16"	8 15/16"	11 15/16"	3.39
TT Silent 150	5 13/16"	8 11/16"	9 3/4"	11 3/8"	4.58



### TT Silent Kits performance

Model	Duct dia	Lamp	Energy-Star certified	Speed	RPM*	Sones	Watts*	Amps*	CFM vs. Static Pressure (Ps) in WG											Volts
									0	0.1	0.2	0.3	0.4	0.5	0.6	0.7	0.8	0.9	1	
TT Silent Kit 100-1	4"	1x7 W LED	yes	high	1994	1.5	30	0.25	146	128	110	88	64	44	21	9	-	-	-	120 V / 60 Hz
				low	1500	0.9	24	0.21	109	88	69	47	22	10	-	-	-	-	-	
TT Silent Kit 150 Duo-2L	4 7/8"	1x7 W LED	yes	high	2617	2.5	66	0.55	327	316	299	283	268	247	225	194	138	83	50	120 V / 60 Hz
				low	1933	1.1	52	0.45	240	219	194	171	134	111	86	57	27	7	-	

## ***Contacts***

Tel: 1-888-640-0925

Tel: 513-348-3853

Fax: 513-268-4597

**sales@VentsUS.com**

**VentsUS.com**

11013 Kenwood Road, Cincinnati, Ohio 45242

VENTS-US reserves the rights to modify any of its products features, designs, components, and specifications at any time and without notice to maintain the development and quality of manufactured goods.