

**DM SERIES**  
METAL ACCESS DOORS**DESCRIPTION**

DM series access panel is the standard model of VENTS-US' access doors. The access panels are available in many popular sizes. The access panels can be surface or flash mounted. Universal for all surfaces, easy and clean installation by applying glue or caulk to the back of the frame and pressing it into place.

**DESIGN**

Made of high-quality steel with a durable powder coating. The use of zinc phosphate compound ensures 100% coating integrity and provides a reliable corrosion protection. Left or right-side opening. Equipped with a magnetic latch for convenient opening and closing by gentle pressure. A wide range of sizes. Custom sizes are available upon request.

**MOUNTING**

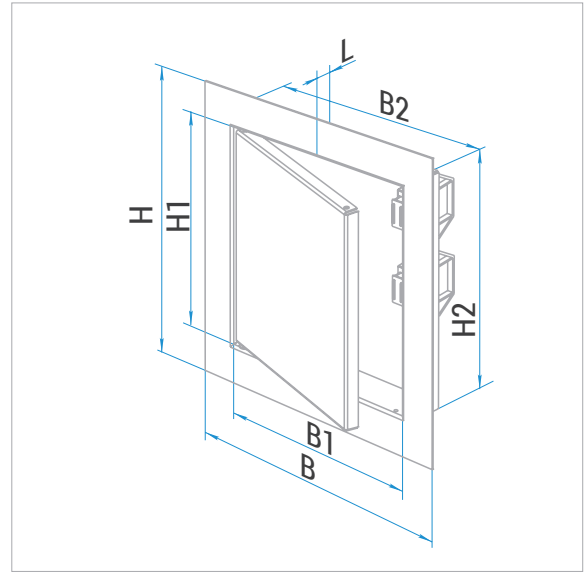
Easy mounting using caulk or glue.  
Universal mountings for left or right-side opening.  
Easy servicing.



Magnetic latch

**DIMENSIONS**

Model	Measurements [in.]						
	H2	B2	H	B	H1	B1	L
DM 100x100	3 7/8"	3 7/8"	5 3/8"	5 3/8"	3 3/4"	3 3/4"	1"
DM 150x150	5 7/8"	5 7/8"	7 3/8"	7 3/8"	5 3/4"	5 3/4"	1"
DM 150x200	7 3/4"	5 7/8"	9 1/4"	7 3/8"	7 3/4"	5 3/4"	1"
DM 150x250	9 3/4"	5 7/8"	11 1/4"	7 3/8"	9 3/4"	5 3/4"	1"
DM 150x300	11 3/4"	5 7/8"	13 1/4"	7 3/8"	11 5/8"	5 3/4"	1"
DM 200x200	7 3/4"	7 3/4"	9 1/4"	9 1/4"	7 3/4"	7 3/4"	1"
DM 200x250	9 3/4"	7 3/4"	11 1/4"	9 1/4"	9 3/4"	7 3/4"	1"
DM 200x300	11 3/4"	7 3/4"	13 1/4"	9 1/4"	11 5/8"	7 3/4"	1"
DM 200x350	13 3/4"	7 3/4"	15 1/4"	9 1/4"	13 5/8"	7 3/4"	1"
DM 200x400	15 5/8"	7 3/4"	17 1/4"	9 1/4"	15 5/8"	7 3/4"	1"
DM 200x500	19 5/8"	7 3/4"	21 1/8"	9 1/4"	19 1/2"	7 3/4"	1"
DM 225x300	11 3/4"	8 3/4"	13 1/4"	10 1/4"	11 5/8"	8 3/4"	1"
DM 225x590	23 1/8"	8 3/4"	24 5/8"	10 1/4"	23 1/8"	8 3/4"	1"
DM 250x250	9 3/4"	9 3/4"	11 1/4"	11 1/4"	9 3/4"	9 3/4"	1"
DM 250x300	11 3/4"	9 3/4"	13 1/4"	11 1/4"	11 5/8"	9 3/4"	1"
DM 250x350	13 3/4"	9 3/4"	15 1/4"	11 1/4"	13 5/8"	9 3/4"	1"
DM 250x400	15 5/8"	9 3/4"	17 1/4"	11 1/4"	15 5/8"	9 3/4"	1"
DM 250x450	17 5/8"	9 3/4"	19 1/8"	11 1/4"	17 5/8"	9 3/4"	1"
DM 300x200	7 3/4"	11 3/4"	9 1/4"	13 1/4"	7 3/4"	11 5/8"	1"
DM 300x300	11 3/4"	11 3/4"	13 1/4"	13 1/4"	11 5/8"	11 5/8"	1"
DM 300x400	15 5/8"	11 3/4"	17 1/4"	13 1/4"	15 5/8"	11 5/8"	1"
DM 300x500	19 5/8"	11 3/4"	21 1/8"	13 1/4"	19 1/2"	11 5/8"	1"
DM 300x600	23 1/2"	11 3/4"	25"	13 1/4"	23 1/2"	11 5/8"	1"
DM 350x350	13 3/4"	13 3/4"	15 1/4"	15 1/4"	13 5/8"	13 5/8"	1"
DM 400x400	15 5/8"	15 5/8"	17 1/4"	17 1/4"	15 5/8"	15 5/8"	1"
DM 400x500	19 5/8"	15 5/8"	21 1/8"	17 1/4"	19 1/2"	15 5/8"	1"
DM 400x600	23 1/2"	15 5/8"	25"	17 1/4"	23 1/2"	15 5/8"	1"
DM 450x250	9 3/4"	17 5/8"	11 1/4"	19 1/8"	9 3/4"	17 5/8"	1"
DM 450x450	17 5/8"	17 5/8"	19 1/8"	19 1/8"	17 5/8"	17 5/8"	1"
DM 500x500	19 5/8"	19 5/8"	21 1/8"	21 1/8"	19 1/2"	19 1/2"	1"
DM 500x600	23 1/2"	19 5/8"	25"	21 1/8"	23 1/2"	19 1/2"	1"
DM 500x800	31 3/8"	19 5/8"	32 7/8"	21 1/8"	31 3/8"	19 1/2"	1"
DM 555x555	21 3/4"	21 3/4"	23 1/4"	23 1/4"	21 3/4"	21 3/4"	1"
DM 600x400	15 5/8"	23 1/2"	17 1/4"	25"	15 5/8"	23 1/2"	1"
DM 600x600	23 1/2"	23 1/2"	25"	25"	23 1/2"	23 1/2"	1"
DM 600x800	31 3/8"	23 1/2"	32 7/8"	25"	31 3/8"	23 1/2"	1"



\*H2, B2 – dimensions of wall opening  
 H, B – overall dimensions  
 H1, B1 – dimensions of door opening

MODEL	QUANTITY	COMMENTS	PROJECT
			location:
			architect:
			engineer:
			contractor:
			submitted by: