

RRV AL H SERIES



APPLICATION

Multi-blade damper for air flow control or cut-off in rectangular air ducts. Compatible with duct sizes 14x8, 20x8, 30x8 in.

DESIGN

The housing made of galvanized steel. The aluminium blades driven by plastic gearwheels. Lever with removable metal handle and fixing clamp.

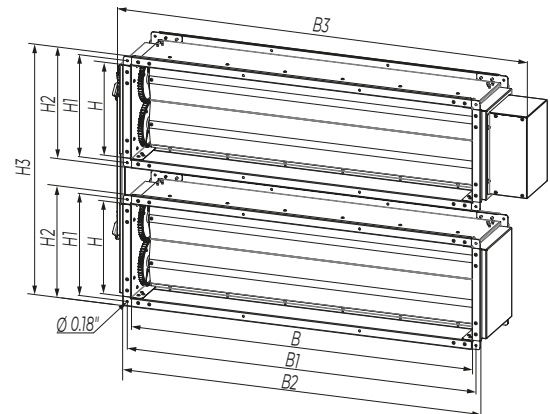
Universal shaft for automatic actuator. Compatible actuators are shown in the table below (available upon separate order). For actuator connection the metal handle should be removed from the shaft.

APPLICATION

Standard connection flange for rectangular air ducts or other ventilation system components. Flanges should be connected with galvanized bolts and clamps.

DIMENSIONS

Type	Dimensions [in]								AirLite size	
	B	B1	B2	B3	H	H1	H2	H3		L
RRV AL H14x8	14	15	16	21	8	9	10	22	7	5; 8
RRV AL H20x8	20	21	22	27	8	9	10	22	7	13; 17
RRV AL H30x8	30	31	32	37	8	9	10	22	7	25



COMPATIBLE BELIMO ACTUATOR

Model	Actuator type
RRV AL H14x8	LM24A-TP
RRV AL H20x8	
RRV AL H30x8	

DESIGNATION KEY

Series	Flange dimensions [mm]
RRV AL H	14x8; 20x8; 30x8

