

## RC AL KIT SERIES



### DESCRIPTION

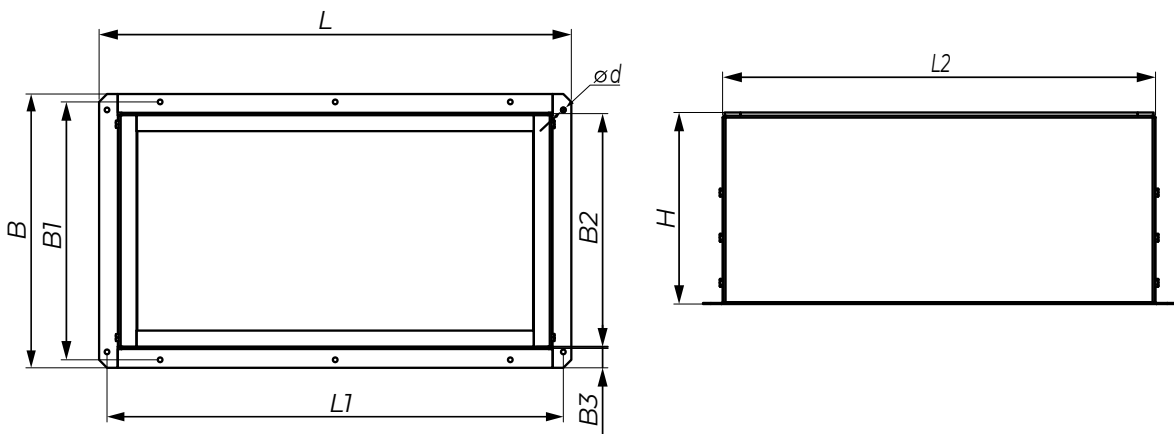
The roof curb serves as a stable and rigid mounting base for outdoor air handling units, ensuring secure installation and optimal load distribution. Manufactured from steel, it provides long-term resistance to weather conditions and mechanical stress.

The roof curb kit is supplied as components – a base frame and curb – that can be quickly assembled on site, allowing easy and efficient installation. The base frame includes dedicated lifting openings to facilitate safe and convenient hoisting of the unit onto the roof.

Note: The base frame can be ordered separately. When the roof curb is ordered, it is supplied as a complete roof curb kit, including both the curb and the base frame.

### DIMENSIONS

Type	Dimensions [in]									AirLite size
	B	B1	B2	B3	H	L	L1	L2	Ød	
RC AL 5, 8	20	19	17	1	14	35	34	32	0.36	5; 8
RC AL 13, 17	32	31	29	1	14	35	34	32	0.36	13; 17
RC AL 25	44	42	41	1	14	33	32	31	0.36	25



**DIMENSIONS**

Type	Dimensions [in]										AirLite size
	B	B1	B2	B3	B4	H	L	L1	L2	Ød	
BF AL 5, 8	20	19	18	33	29	5	35	34	32	2	5; 8
BF AL 13, 17	32	31	30	45	41	5	35	34	32	2	13; 17
BF AL 25	44	43	41	56	52	5	34	32	31	2	25

