

A-VRF SERIES

Diffusers



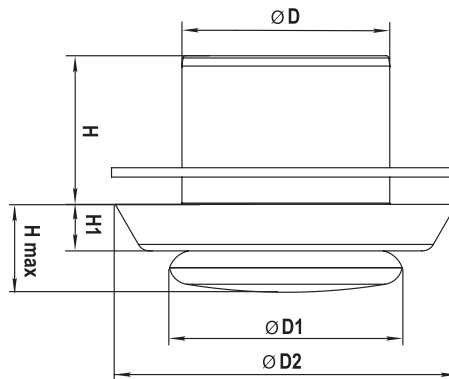
DESCRIPTION

Diffuser for ceiling and drop ceiling applications, can be used for both air intake and exhaust. Has 360 degree diffusion pattern with a baffle that can be rotated to obtain the required air consumption.

- Adjusted airflow
- Easy installation
- Comes with mounting collar
- Made of UL94 certified plastic

DIMENSIONS

Model	Measurements [in.]							
	Ø D	Ø D1	Ø D2	H	H1	H max	Air pass, Sq.Ft	Damper normal pitch, inch
A 100 VRF	3 15/16"	3 9/16"	5 13/16"	2 5/16"	1 1/8"	1 9/16"	0.0648	0... 13/16"
A 125 VRF	4 15/16"	4 5/16"	6 9/16"	2 5/16"	13/16"	1 15/16"	0.0861	0... 7/8"
A 150 VRF	5 7/8"	5 1/16"	7 7/8"	2 5/16"	13/16"	1 15/16"	0.0968	0... 7/8"
A 200 VRF	7 7/8"	5 1/16"	9 11/16"	2 5/16"	13/16"	1 7/8"	0.0861	0... 3/4"
A 200/150 VRF	5 7/8"	5 1/16"	9 11/16"	3 1/4"	13/16"	1 7/8"	0.0861	0... 3/4"



Tel: 888-640-0925
Fax: 513-268-4597

Sales@ventsus.com
VentsUS.com
400 Murray Rd,
Cincinnati, OH 45217

