



DESCRIPTION

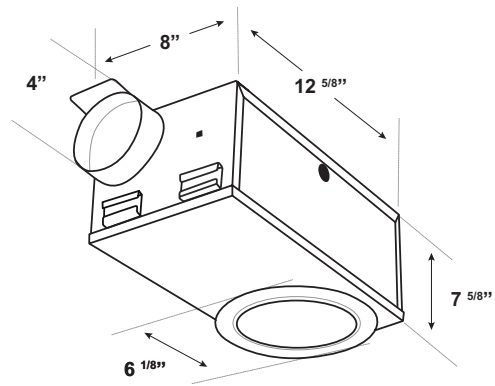
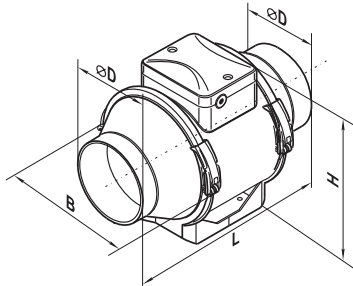
VENTS Bathroom Kit is the best way to arrange extract ventilation or replace an old noisy ceiling fan in your house. Installed away from the living space, VENTS bathroom kits offer powerful, yet silent ventilation solutions. Each kit consists of a plastic ceiling diffuser with the option of a built in LED light, a powerful inline fan, galvanized steel housing with damper and mounting brackets. VENTS offers kits for dual bathroom applications that features two galvanized steel housing with grille and a Y-Adapter.

KIT INCLUDES

Mix-flow fan TT Silent 100 (110 CFM);
LED light H-100L.

DIMENSIONS

Model	Measurements [in.]				lbs
	L	H	B	Ø D	
TT Silent 100	8 15/16"	7 11/16"	7 11/16"	3 13/16"	3.39



PERFORMANCE

Model	Duct dia	Lamp	Speed	RPM*	Sones	Watts*	Amps*	CFM vs. Static Pressure (Ps) in WG											Volts / Hz
								0	0.1	0.2	0.3	0.4	0.5	0.6	0.7	0.8	0.9	1	
TT Silent Kit 100-1L	4"	1x7 W LED	high	1994	1.5	30	0.25	146	128	110	88	64	44	21	9	-	-	-	120/60
			low	1500	0.9	24	0.21	109	88	69	47	22	10	-	-	-	-	-	

MODEL	QUANTITY	COMMENTS	PROJECT
			location:
			architect:
			engineer:
			contractor:
			submitted by: