



DESCRIPTION

Bucket Fan Whisper are effective in any building with ceilings 15' or higher. Attractive design, quiet operation, speed controllable and easy to install. Directing vanes are located at outlet of the Bucket Fan Whisper to provide a long linear air flow. Reduces energy costs and increases comfort.

CASING

Steel casing is covered with high-quality corrosion resistant finish.

MOTOR

Asynchronous motor on ball bearings and thermal protection ensure the safe and smooth operation.

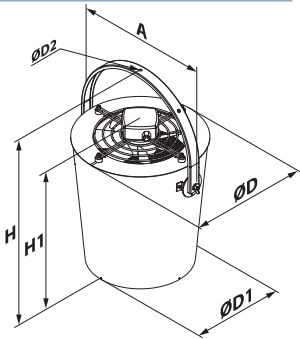
APPLICATIONS

- Big box stores
- Shopping malls
- Warehouses
- Greenhouses
- Athletic facilities
- Grocery stores
- Industrial buildings
- Distribution centers
- Atriums
- Gymnasiums

TECHNICAL DATA

Model	RPM	Max Watts	Max Amps	Airflow CFM (L/s)	Downrod length	Coverage area, ft ²	Air flow speed depending on Bucket fan distance point (ft), fpm										Volts/Hz	
							3	6	10	13	15	20	23	25	30	33		35
Bucket Fan Whisper 420	1700	60	0.51	420 (198)	20"-30"	301-689	378	270	220	156	90	60	20	-	-	-	-	120/60
Bucket Fan Whisper 1055	1675	94	0.8	1055 (498)	26"-36"	538-1023	918	594	380	234	162	120	79	38	20	-	-	120/60
Bucket Fan Whisper 1460	1685	162	1.38	1460 (689)	33"-43"	840-1432	1100	756	760	468	324	300	217	169	120	59	19	120/60

OVERALL DIMENSIONS



Model	Measurements [in.]					Weight [lbs]
	ØD	ØD1	H	H1	A	
Bucket Fan Whisper 420	15 ^{1/8"}	11 ^{7/8"}	24 ^{5/8"}	18 ^{7/16"}	17 ^{15/16"}	24.3
Bucket Fan Whisper 1055	17 ^{1/16"}	13 ^{7/8"}	27 ^{5/8"}	20 ^{3/8"}	19 ^{15/16"}	32
Bucket Fan Whisper 1460	19 ^{1/16"}	15 ^{13/16"}	30 ^{9/16"}	22 ^{3/8"}	21 ^{7/8"}	37.5

Noise level [sones] vs. Bucket Fan Whisper hanging height

ft	Bucket Fan Whisper 420	Bucket Fan Whisper 1055	Bucket Fan Whisper 1460
10'	3.5	4.3	5.7
20'	2.9	3.5	5
25'	2.6	3.1	4.7
30'	2.3	2.7	4.4
40'	2.0	2.3	4.1

MODEL	QUANTITY	COMMENTS	PROJECT
			location:
			architect:
			engineer:
			contractor:
			submitted by: