

INSTALLATION GUIDE

BUCKET FAN SERIES

BUCKET FAN WHISPER SERIES

BUCKET FAN 420

BUCKET FAN 1055

BUCKET FAN 1460

BUCKET FAN WHISPER 420

BUCKET FAN WHISPER 1055

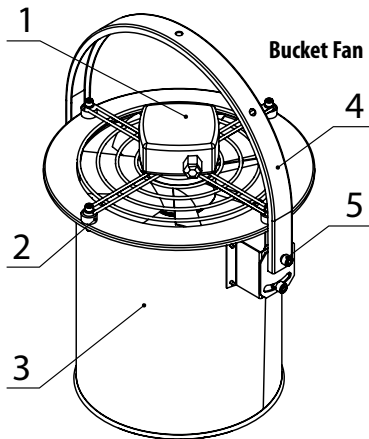
BUCKET FAN WHISPER 1460



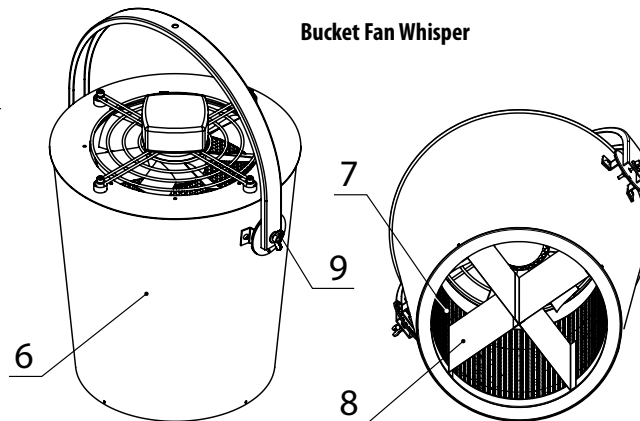
The destratificator consists of an axial fan attached to the casing via the vibration mounts. The destratificator has a polymer coated steel casing. The destratificator is equipped with a single-phase asynchronous motor with an external rotor and an axial impeller. The motor is equipped with built-in thermal protection enabling its automatic restarting and utilizes rolling-element bearings. The motor protection class is IP 44.

The Bucket Fan Whisper casing has special perforation and a sound-insulating layer of mineral wool to reduce the noise generated by the axial fan. The Bucket Fan Whisper destratificator has a flow straightener at the discharge which ensures direct air flow and maximum air throw distance.

The destratificator is mounted by means of the bow bracket (Bucket Fan Whisper can be fixed with 15° steps) as well as the mounting and the safety cables with threaded joints.



Bucket Fan



Bucket Fan Whisper

Bucket Fan Parts

- 1 Electrical junction box on protective grille
- 2 Vibration absorbing mount
- 3 Metal case
- 4 Handle
- 5 Handle bolts
- 6 Casing
- 7 Sound-Insulation Layer
- 8 Airflow Straightener
- 9 Wing Head bolt

Prior to Installation:

Read and understand this entire manual. Should you have any questions before, during, or after installation please call your seller or contact VENTS at 888-640-0925 or service@VentsUS.com.

Check the product for any damage that may have occurred during shipping.

Rotate the impeller by hand to ensure it turns smoothly.

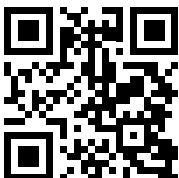
MOUNTING

The Bucket Fan comes with a set of Hanging/Safety Cables with Gripples. The set consists of two Gripples and two cables with a toggle on one end.

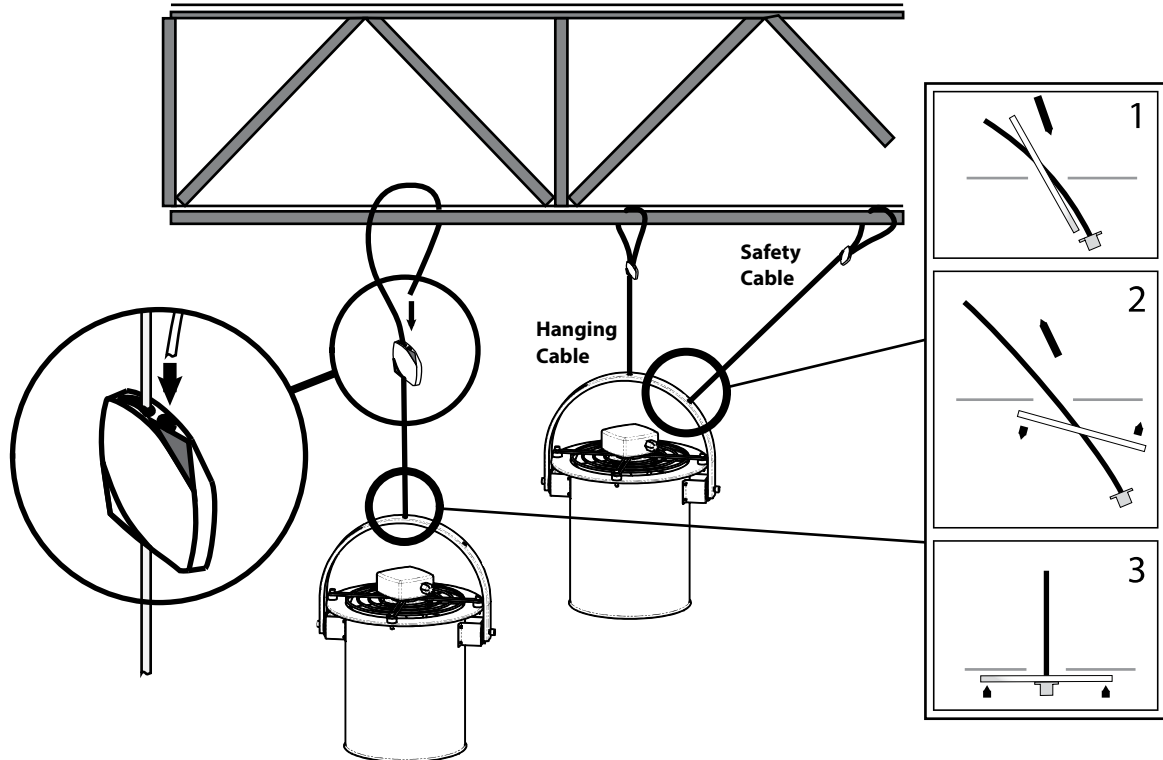
NOTE: The Hanging and Safety Cables are the exact same, so there is no need to worry about which one is which.

NOTE: The toggle ends are the ones that are inserted into the handle.

WARNING: Both the Hanging and Safety cables **MUST** be installed as directed.



Attaching the Bucket Fan with the Hanging Cable and Gripper



Tip: It is easier to attach the Hanging Cable and Gripper to the structure first and then attach the fan with the toggle.

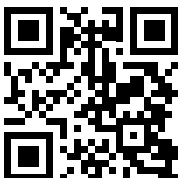
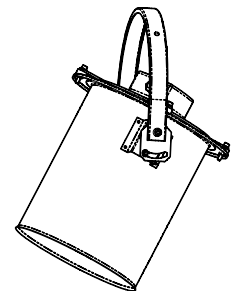
1. Insert the cable into one of the openings in the Gripper
2. Place the cable over the I-beam, truss, or other structure from which it is being hung.
3. Insert the end of the cable into the other opening in the Gripper.
4. Adjust to desired height
5. Insert toggle into the top hole on the handle.

Attaching the Safety Cable

1. Insert the cable into one of the openings in the Gripper
2. Place the cable over the I-beam, truss, or other attaching structure at a 40° to 50° angle
3. Insert the end of the cable into the other opening in the Gripper.
4. Insert toggle into the top hole on the handle.
5. Take the slack out of the safety cable by pulling the cable through the Gripper.

NOTE: The cable should not be so tight as to be pulling the fan to one side. The cable should not be so loose that the cable could get caught or tangled in the motor.

The Bucket Fan can be angled if needed. All it takes is a 1/2" socket wrench. Loosen the bolts on either side of the fan, place at the angle you want, then re-tighten the bolts.

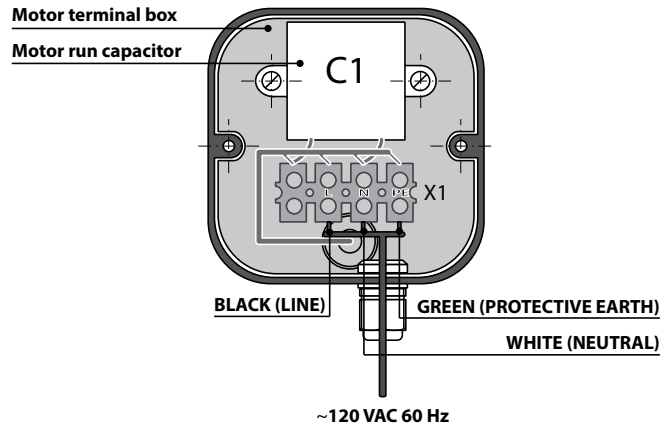


WIRING THE FAN

Bucket Fan 420	Bucket Fan Whisper 420	1.0 A
Bucket Fan 1055	Bucket Fan Whisper 1055	1.0 A
Bucket Fan 1460	Bucket Fan Whisper 1460	2.0 A

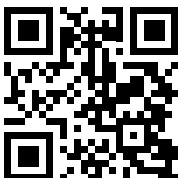
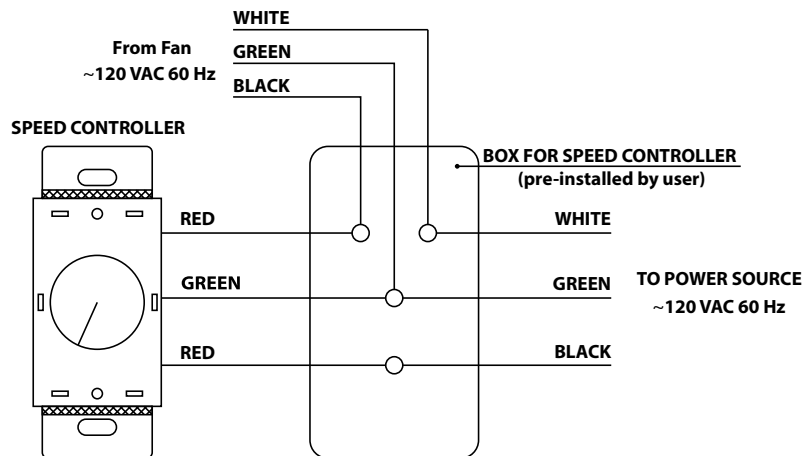
Electrical wiring should only be done by a qualified electrician. Warranty will not cover equipment damage or failure that is caused by improper installation. If the fan did not come pre-wired or if a new wire is to be used, wire the fan as shown in the Figure 6 below. Use 14 AWG or greater wire.

All set screws must be checked, and retightened where necessary, before installation.



CONTROLLER WIRING AND INSTALLATION

- The following is for the installation of one controller for one fan. Contact VENTS US if you need to operate two or more fans with one controller.
- Refer to Figure 7 for electrical connections.
- Use 18 AWG or greater wire.
- It is important that the controller be properly grounded for effective fan operation and personnel safety.
- Always install the controller in sight of the fan it controls.
- CAUTION: Incorrectly installed fan(s) and/or controller(s) may damage the equipment and void the warranty.



1. Application

- a) Motor Type – Shaded Pole, P.S.C. and Universal.
- b) Required Load – Fans, Blowers and Speed Dependent Loads.

2. Wiring

Warning! Power must be turned off before wiring. Connect control in series with motor and line voltage; never connect control across line. Ground (Earth)** – Be sure to ground the control using the green wire.

**Some models do not require grounding, therefore, a ground wire is not provided.

3. Mounting

- a) Use 2" deep standard electrical box.
- b) Secure control with outer bracket tabs.

4. Minimum Speed Adjustment

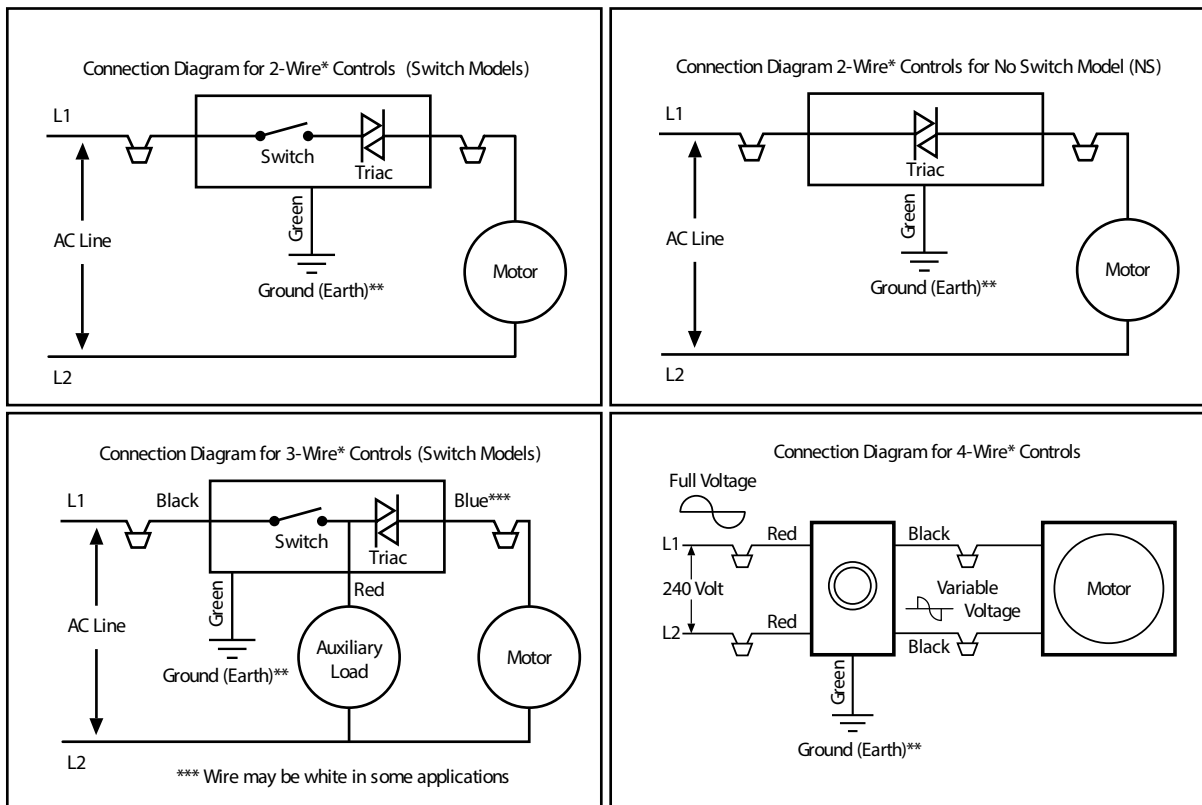
Important: If this option is not supplied, disregard Step 4 and continue to Step 5. This control was designed to operate on motors used in diverse applications. A minimum speed adjustment is provided to allow independent control of the minimum speed setting. Minimum speed adjustment ensures motor runs with sufficient torque to prevent stalling.

- a) Motor must be in actual operating condition to achieve proper speed adjustment. Motor will not slow down unless proper load is applied.
- b) Turn main control knob to lowest speed position.
- c) Locate and adjust minimum speed setting on front plate with screw driver (rotate clockwise to decrease minimum speed; counter-clockwise to increase minimum speed).

Special Note: For 2.5 and 3.0 Amp models, adjustment of minimum speed is reversed. Rotate clockwise to increase minimum speed; counter-clockwise to decrease minimum speed.

On some models minimum speed adjustment hole is located on side of control.

- d) Motor will now operate from this preset minimum speed to full speed.



* Ground wire is not counted when designating 2,3 or 4 wire controls.

** Be sure to ground control using the green wire. Some models do not require grounding, therefore, a ground wire is not provided.

*** Wire may be white in some applications.

