

CEILING BATHROOM FANS

READY FOR CUSTOMIZATION



CBF Series

*Fresh air
in your house!*



 **VENTS-US**
www.ventsus.com


Intertek







CBF SERIES MAIN FEATURES


DC MOTOR TECHNOLOGY

- The CBF LP DC fan is equipped with a high-performance DC motor with outstanding energy efficiency and built-in overheating protection.
- The CBF LP fans feature reliable asynchronous dual-speed motors with overheating protection;
- The maintenance-free permanently lubricated motor bearings are engineered for over 40,000 hours of trouble-free operation.

LED LIGHT TECHNOLOGY

The CBF LP Light fans are equipped with an energy-efficient LED light:

- Power rating - 10 W
- Colour temperature - 3000 K
- Light flux - 650 lumens



HUMIDITY SENSOR

If the indoor humidity exceeds the set humidity point adjustable from 50 % up to 90 %, the fan either turns on or goes to the higher speed.

After indoor humidity drops down the fan keeps running for a set turn-off delay time, adjustable from 1 to 90 minutes and the reverts to the initial operation status.

MOTION SENSOR

In case of activation of the motion sensor the fan turns on or switches to the higher speed.

After no motion is detected more the fan keeps running for a set turn-off delay time, adjustable from 1 to 90 minutes, and the reverts to the initial operation status.





SPEED SELECT TECHNOLOGY

The fan runs continuously at a pre-set lower level. Once the switch is turned on or a sensor is activated, the fan starts to run with the maximum capacity.

AIRFLOW ADJUST TECHNOLOGY

The constant air flow technology ensures the necessary CFM across a wide static pressure range.



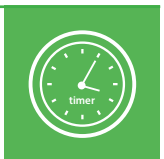
SMART CONTROL TECHNOLOGY

The built-in controls allow you to set a fan to the needed CFM level, adjust the delay timer or humidity sensor set point.

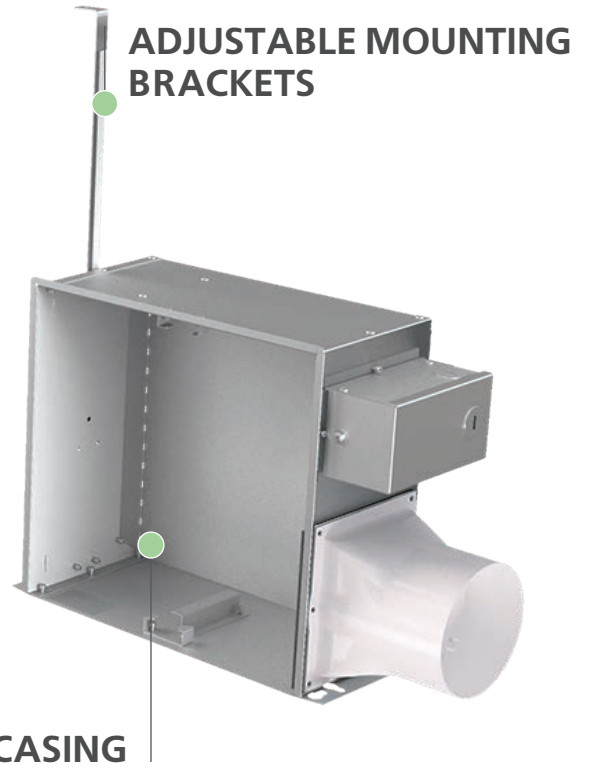
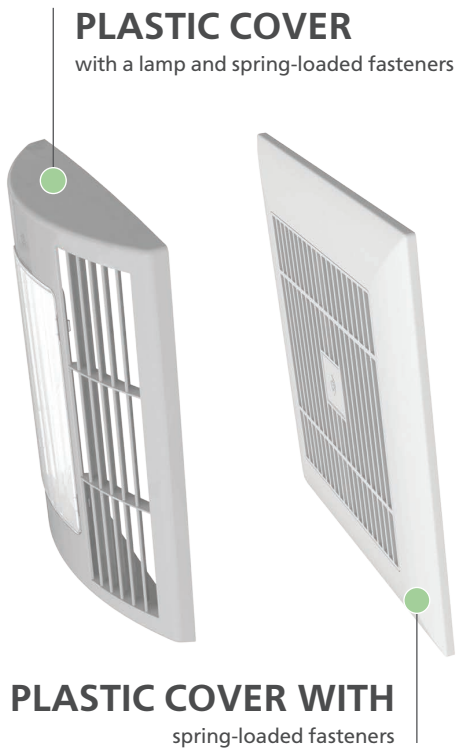
TIMER

After an external switch, e.g. a light switch is turned on, the fan is turned on or goes to high speed after countdown of a set turn-on delay time, adjustable from 0 to 3 minutes.

After the fan is turned off it keeps running for a set turn-off delay time, adjustable from 1 to 90 minutes and the reverts to the initial operation status.



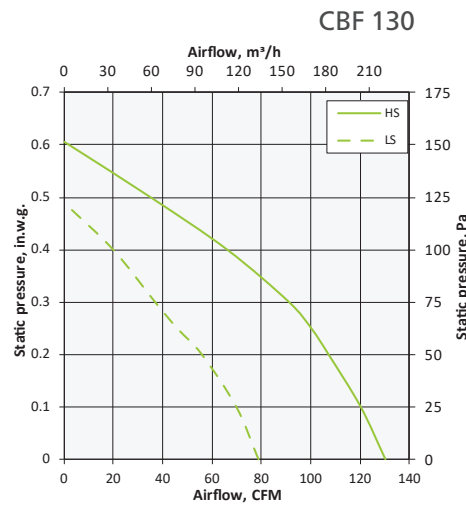
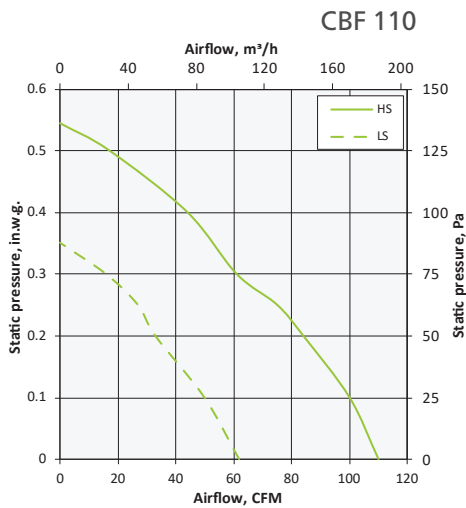
STRUCTURAL DIAGRAM / TECHNICAL DATA /



AC MOTOR CHARACTERISTIC

Model	Duct Dia	Speed	Energy Star compliant	Watts*	Amps*	RPM*	Sones*	CFM vs. Static Pressure in.W.G.							Max. Ps	Volts / Hz
								0"	0.1"	0.2"	0.25"	0.3"	0.4"	0.5"		
CBF LP 110	4" / 6"	HS	V	27	0.23	1036	2.0	110	100	84	75	61	44	17	0.54	120 / 60
		LS		16	0.17	854	0.7	62	50	33	27	16	-	-	0.35	
CBF LP 130	4" / 6"	HS	-	35	0.3	1121	2.5	130	120	107	100	91	66	35	0.6	120 / 60
		LS		23	0.2	920	1.1	79	70	56	46	37	20	-	0.49	

* Indicated at 0.1 in.W.G.

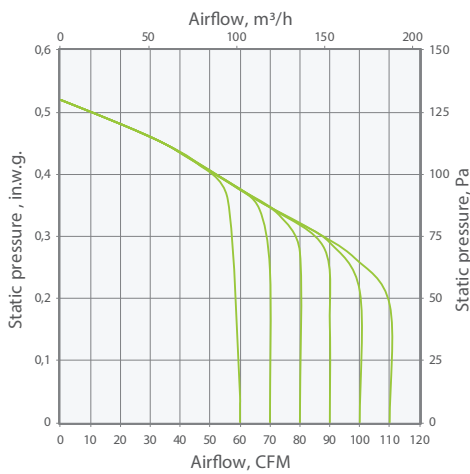


DC MOTOR CHARACTERISTIC

CBF LP 110 DC

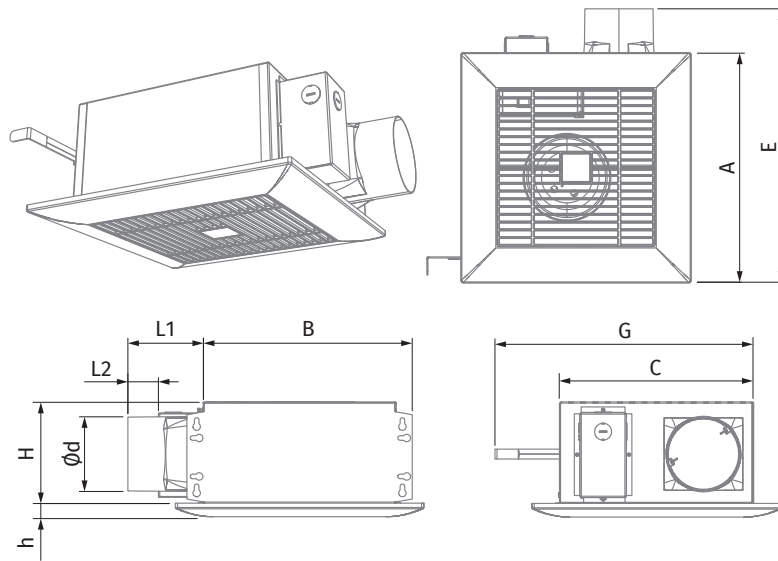
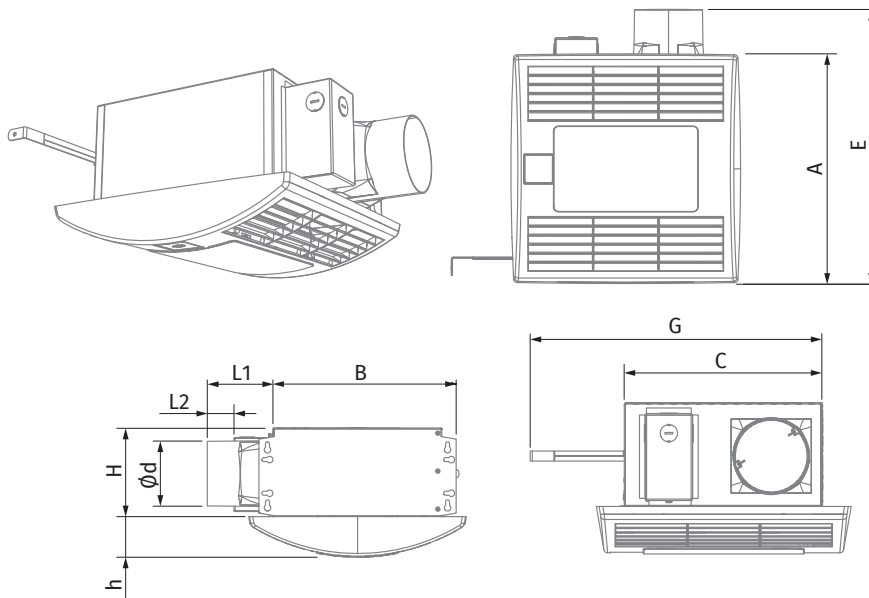
Static Pressure [in.W.G.]	0.1"	0.25"	0.1"	0.25"	0.1"	0.25"	0.1"	0.25"	0.1"	0.25"	0.1"	0.25"
Air Volume [CFM]	110	102	101	98	90	90	80	80	70	70	60	58
Noise [Sones]	1.36	-	1.31	-	1.26	-	1.20	-	1.15	-	1.09	-
Power consumption [W]	17	19	15	17	13	16	10	15	8	13	5	9
Energy efficiency [CFM/W]	6.5	5.4	6.7	5.8	6.9	5.6	8.0	5.3	8.8	5.4	12.0	6.4
Speed [rpm]	1000	1200	964	1182	920	1145	880	1100	840	1055	800	1000
Max current [Amps]	0.3											
Power rating [V/Hz]	120 / 60											
Energy Star compliant	V											

CBF LP 110 DC



DIMENSIONS

Model	Dimensions [in]											
	D	d	L1	L2	A	B	C	E	H	h	a	b
CBF LP 110/130 CBF LP 110 DC	5 7/8"	3 7/8"	4"	1 3/4"	13"	10 1/8"	10 1/4"	15 1/2"	5 1/4"	3/4"	-	-
CBF LP 110/130 Light CBF LP 110 DC Light	5 7/8"	3 7/8"	4"	1 3/4"	13"	10 1/8"	10 1/4"	15 1/2"	5 1/4"	2 1/2"	8 1/4"	4 7/8"





 CBF LP 110/130
CBF LP 110 DC

 CBF LP 110/130 Light
CBF LP 110 DC Light


FAN SELECTOR

Model	Airflow CFM 	Speed Select Technology 	DC Motor Technology 	Airflow Adjust Technology 	LED Light Technology 	Smart Control Technology 	Timer 	Humidity Sensor 	Motion sensor
VENTS CBF LP 110	50 100	•	○	○	○	○	○	○	○
VENTS CBF LP 130	70 120	•	○	○	○	○	○	○	○
VENTS CBF LP 110 T	50 100	•	○	○	○	•	•	○	○
VENTS CBF LP 130 T	70 120	•	○	○	○	•	•	○	○
VENTS CBF LP 110 TH	50 100	•	○	○	○	•	•	•	○
VENTS CBF LP 130 TH	70 120	•	○	○	○	•	•	•	○
VENTS CBF LP 110 TP	50 100	•	○	○	○	•	•	○	•
VENTS CBF LP 130 TP	70 120	•	○	○	○	•	•	○	•
VENTS CBF LP 110 Light	50 100	•	○	○	•	○	○	○	○
VENTS CBF LP 130 Light	70 120	•	○	○	•	○	○	○	○
VENTS CBF LP 110 Light T	50 100	•	○	○	•	•	•	○	○
VENTS CBF LP 130 Light T	70 120	•	○	○	•	•	•	○	○
VENTS CBF LP 110 Light TH	50 100	•	○	○	•	•	•	•	○
VENTS CBF LP 130 Light TH	70 120	•	○	○	•	•	•	•	○
VENTS CBF LP 110 Light TP	50 100	•	○	○	•	•	•	○	•
VENTS CBF LP 130 Light TP	70 120	•	○	○	•	•	•	○	•
VENTS CBF LP 110 DC	60 to 110	○	•	•	○	•	•	○	○
VENTS CBF LP 110 DC TH	60 to 110	○	•	•	○	•	•	•	○
VENTS CBF LP 110 DC TP	60 to 110	○	•	•	○	•	•	○	•
VENTS CBF LP 110 DC Light	60 to 110	○	•	•	•	•	•	○	○
VENTS CBF LP 110 DC Light TH	60 to 110	○	•	•	•	•	•	•	○
VENTS CBF LP 110 DC Light TP	60 to 110	○	•	•	•	•	•	○	•

• - included ; ○ - not included.

ACCESSORIES

Name	Image	Description	CBF LP 110 DC	CBF LP 150 DC	CBF LP 110 T CBF LP 130	CBF LP 150	CBF LP 110 T CBF LP 130 T	CBF LP 150 T
MVM 102 bVs N		Ø100 mm stainless steel outer ventilation hood	●	○	●	○	●	○
MV 102 V ASA		Ø100 mm ASA plastic outer ventilation hood	●	○	●	○	●	○
CB 100		Ø90-110 mm quick detachable stainless steel clamp	●	○	●	○	●	○
CH-PLC-10WG23*		10 W LED lamp with color temperature 3000 K	●	●	●	●	●	●

* Only for the Light modification

Contacts

Tel: 888-640-0925
 513-348-3853
 Fax: 513-268-4597
 Sales@ventsus.com
 VentsUS.com
 11013 Kenwood Road, Cincinnati, Ohio 45242

VENTS-US reserves the rights to modify any of its products features, designs, components, and specifications at any time and without notice to maintain the development and quality of manufactured goods.



Flow Chart Graphs can be viewed at www.vents-us.com/cat/726/