

**D SERIES
ACCESS DOORS**
FEATURES

- D series access panel is the standard model of VENTS' access doors.
- The access panels are available in many popular sizes.
- Doors are manufactured of ABS plastic (UL94 certified plastic).
- D2 series access panel is a two-door ABS plastic access door.
- DD series plastic access doors have two ways of fastening and two ways of mounting. The access panels can be surface or flash mounted. Features paintable surface. Universal for all surfaces, easy and clean installation by applying glue or caulk to the back of the frame and pressing it into place.



D SERIES

D2 SERIES

DD SERIES

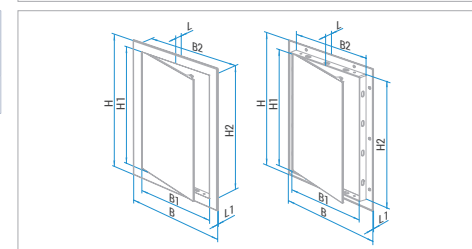
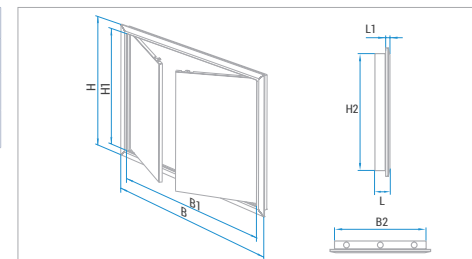
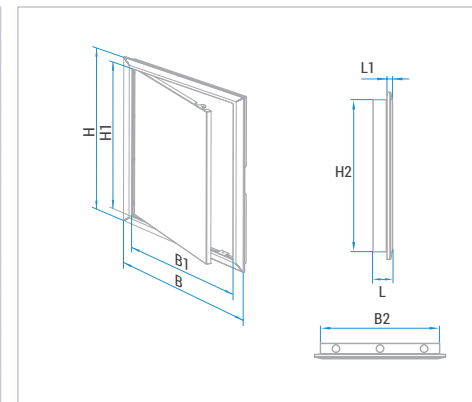
DIMENSIONS

Model	Measurements [in.]							
	H2	B2	H	B	H1	B1	L	L1
D 150x150	5 3/4"	5 3/4"	6 5/8"	6 5/8"	4 7/8"	4 7/8"	1"	1/4"
D 150x200	7 3/4"	5 3/4"	8 1/2"	6 5/8"	6 3/4"	4 7/8"	1"	1/4"
D 200x200	7 3/4"	7 3/4"	8 1/2"	8 1/2"	6 3/4"	6 3/4"	1"	1/4"
D 200x250	9 3/4"	7 3/4"	10 1/2"	8 1/2"	8 3/4"	6 3/4"	1"	1/4"
D 200x300	11 3/4"	7 3/4"	12 1/2"	8 1/2"	10 3/4"	6 3/4"	1"	1/4"
D 250x300	12 7/8"	9 3/4"	13 5/8"	10 1/2"	11 7/8"	8 3/4"	1"	1/4"
D 300x300	11 3/4"	11 3/4"	12 1/2"	12 1/2"	10 3/4"	10 3/4"	1"	1/4"
D 300x400	15 5/8"	11 3/4"	16 3/8"	12 1/2"	14 3/4"	10 3/4"	1"	1/4"
D 400x500	19 5/8"	15 5/8"	20 3/8"	16 3/8"	18 5/8"	14 3/4"	1"	1/4"

Model	Measurements [in.]							
	H2	B2	H	B	H1	B1	L	L1
D2 300x300	11 3/4"	10 1/2"	12 1/2"	11 3/8"	10 3/4"	9 5/8"	1"	1/4"
D2 400x400	15 5/8"	14 5/8"	16 3/8"	15 1/4"	14 5/8"	13 1/2"	1"	1/4"

Model	Measurements [in.]							
	H2	B2	H	B	H1	B1	L	L1
DD 200x300	11 3/4"	7 3/4"	13 1/4"	9 1/4"	11 1/2"	7 1/2"	3/4"	1/8"

H2, B2 – dimensions of wall opening
 H, B – overall dimensions
 H1, B1 – dimensions of door opening



MODEL	QUANTITY	COMMENTS	PROJECT
			location:
			architect:
			engineer:
			contractor:
			submitted by: