

UNIVERSAL DRYER LINT TRAP

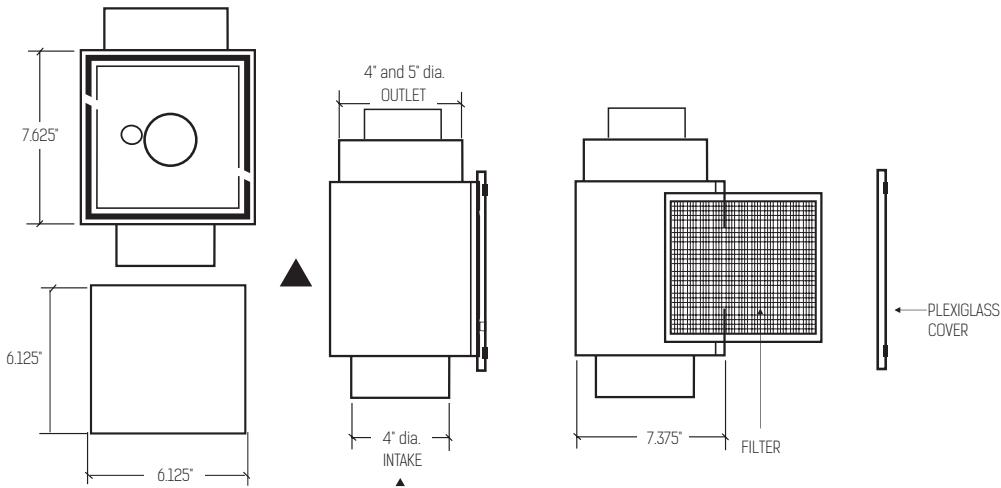
Model DLT454



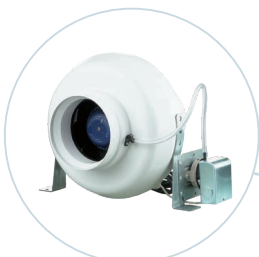
FEATURES

- Special galvanized steel construction reduces corrosion.
- Improves drying capacity.
- Reduces lint build-up in duct.
- Prevents dryer fires.
- Wire mesh can be completely serviced without special tools.
- Universal white painted spring-loaded access door is easy to use and easy to remove.
- Four-inch intake is compatible with four-inch dryer collar.
- Universal 4 or 5-inch exhaust collar allows one lint trap to fit all installations.

DIMENSIONS



APPLICATION OPTIONS



VK PS



UNIVERSAL DRYER LINT TRAP

