

DMZ SERIES
METAL ACCESS DOORS**DESCRIPTION**

DMZ series access panel is the standard model of VENTS-US' access doors. The access panels are available in many popular sizes. The access panels can be surface or flash mounted. Universal for all surfaces, easy and clean installation by applying glue or caulk to the back of the frame and pressing it into place.

DESIGN

Made of high-quality steel with a durable powder coating. The use of zinc phosphate compound ensures 100% coating integrity and provides a reliable corrosion protection. Left or right-side opening. Equipped with a key lock. A wide range of sizes. Custom sizes are available upon request.

MOUNTING

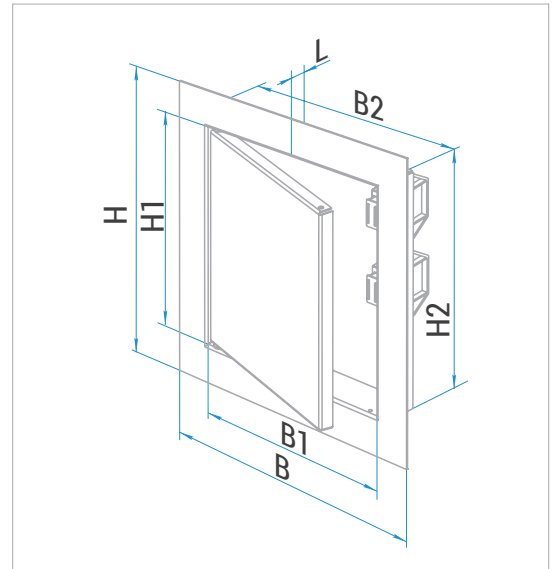
Easy mounting using caulk or glue.
Universal mountings for left or right-side opening.
Easy servicing.



Magnetic latch

DIMENSIONS

Model	Measurements [in.]						
	H2	B2	H	B	H1	B1	L
DMZ 100x100	3 7/8"	3 7/8"	5 3/8"	5 3/8"	3 3/4"	3 3/4"	1"
DMZ 150x150	5 7/8"	5 7/8"	7 3/8"	7 3/8"	5 3/4"	5 3/4"	1"
DMZ 150x200	7 3/4"	5 7/8"	9 1/4"	7 3/8"	7 3/4"	5 3/4"	1"
DMZ 150x250	9 3/4"	5 7/8"	11 1/4"	7 3/8"	9 3/4"	5 3/4"	1"
DMZ 150x300	11 3/4"	5 7/8"	13 1/4"	7 3/8"	11 5/8"	5 3/4"	1"
DMZ 200x200	7 3/4"	7 3/4"	9 1/4"	9 1/4"	7 3/4"	7 3/4"	1"
DMZ 200x250	9 3/4"	7 3/4"	11 1/4"	9 1/4"	9 3/4"	7 3/4"	1"
DMZ 200x300	11 3/4"	7 3/4"	13 1/4"	9 1/4"	11 5/8"	7 3/4"	1"
DMZ 200x350	13 3/4"	7 3/4"	15 1/4"	9 1/4"	13 5/8"	7 3/4"	1"
DMZ 200x400	15 5/8"	7 3/4"	17 1/4"	9 1/4"	15 5/8"	7 3/4"	1"
DMZ 200x500	19 5/8"	7 3/4"	21 1/8"	9 1/4"	19 1/2"	7 3/4"	1"
DMZ 225x300	11 3/4"	8 3/4"	13 1/4"	10 1/4"	11 5/8"	8 3/4"	1"
DMZ 225x590	23 1/8"	8 3/4"	24 5/8"	10 1/4"	23 1/8"	8 3/4"	1"
DMZ 250x250	9 3/4"	9 3/4"	11 1/4"	11 1/4"	9 3/4"	9 3/4"	1"
DMZ 250x300	11 3/4"	9 3/4"	13 1/4"	11 1/4"	11 5/8"	9 3/4"	1"
DMZ 250x350	13 3/4"	9 3/4"	15 1/4"	11 1/4"	13 5/8"	9 3/4"	1"
DMZ 250x400	15 5/8"	9 3/4"	17 1/4"	11 1/4"	15 5/8"	9 3/4"	1"
DMZ 250x450	17 5/8"	9 3/4"	19 1/8"	11 1/4"	17 5/8"	9 3/4"	1"
DMZ 300x200	7 3/4"	11 3/4"	9 1/4"	13 1/4"	7 3/4"	11 5/8"	1"
DMZ 300x300	11 3/4"	11 3/4"	13 1/4"	13 1/4"	11 5/8"	11 5/8"	1"
DMZ 300x400	15 5/8"	11 3/4"	17 1/4"	13 1/4"	15 5/8"	11 5/8"	1"
DMZ 300x500	19 5/8"	11 3/4"	21 1/8"	13 1/4"	19 1/2"	11 5/8"	1"
DMZ 300x600	23 1/2"	11 3/4"	25"	13 1/4"	23 1/2"	11 5/8"	1"
DMZ 350x350	13 3/4"	13 3/4"	15 1/4"	15 1/4"	13 5/8"	13 5/8"	1"
DMZ 400x400	15 5/8"	15 5/8"	17 1/4"	17 1/4"	15 5/8"	15 5/8"	1"
DMZ 400x500	19 5/8"	15 5/8"	21 1/8"	17 1/4"	19 1/2"	15 5/8"	1"
DMZ 400x600	23 1/2"	15 5/8"	25"	17 1/4"	23 1/2"	15 5/8"	1"
DMZ 450x250	9 3/4"	17 5/8"	11 1/4"	19 1/8"	9 3/4"	17 5/8"	1"
DMZ 450x450	17 5/8"	17 5/8"	19 1/8"	19 1/8"	17 5/8"	17 5/8"	1"
DMZ 500x500	19 5/8"	19 5/8"	21 1/8"	21 1/8"	19 1/2"	19 1/2"	1"
DMZ 500x600	23 1/2"	19 5/8"	25"	21 1/8"	23 1/2"	19 1/2"	1"
DMZ 500x800	31 3/8"	19 5/8"	32 7/8"	21 1/8"	31 3/8"	19 1/2"	1"
DMZ 555x555	21 3/4"	21 3/4"	23 1/4"	23 1/4"	21 3/4"	21 3/4"	1"
DMZ 600x400	15 5/8"	23 1/2"	17 1/4"	25"	15 5/8"	23 1/2"	1"
DMZ 600x600	23 1/2"	23 1/2"	25"	25"	23 1/2"	23 1/2"	1"
DMZ 600x800	31 3/8"	23 1/2"	32 7/8"	25"	31 3/8"	23 1/2"	1"



*H2, B2 – dimensions of wall opening
 H, B – overall dimensions
 H1, B1 – dimensions of door opening

MODEL	QUANTITY	COMMENTS	PROJECT
			location:
			architect:
			engineer:
			contractor:
			submitted by: