

# FB SERIES

Panel filters



## MOUNTING

- The filters are installed at heater and fan inlet along the air flow direction. The air flow direction shall match the designation on the filter. Access for the fan maintenance shall be provided for the filter cleaning or replacement.

## DESIGNATION KEY

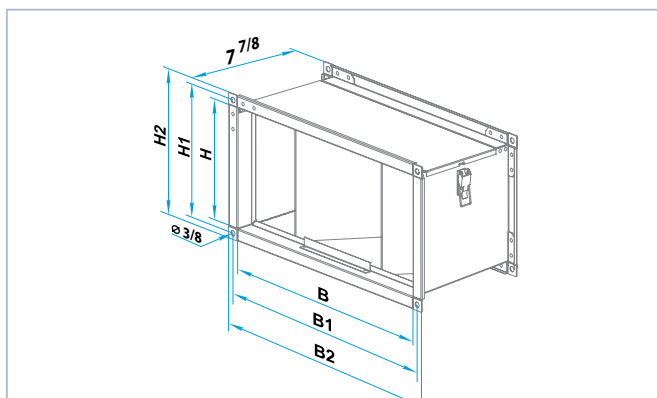
Series	Flange dimensions (WxH) [mm]
FB SF	400x200; 500x250; 500x300; 600x300; 600x350; 700x400; 800x500; 900x500; 1000x500



Replaceable filter SF

## OVERALL DIMENSIONS [IN]

Model	B	B1	B2	H	H1	H2	Weight [lb]
FB 400x200	15 3/4	16 1/2	17 3/8	7 7/8	8 5/8	9 1/2	5.3
FB 500x250	19 3/4	20 1/2	21 1/4	9 7/8	10 5/8	11 3/8	9.03
FB 500x300	19 3/4	20 1/2	21 1/4	11 3/4	12 5/8	13 3/8	9.7
FB 600x300	23 5/8	24 3/8	25 1/4	11 3/4	12 5/8	13 3/8	11.4
FB 600x350	23 5/8	24 3/8	25 1/4	13 3/4	14 5/8	15 3/8	12.7
FB 700x400	27 1/2	28 3/2	29 1/8	15 3/4	16 1/2	17 3/8	14.7
FB 800x500	31 1/2	32 1/4	33 1/8	19 3/4	20 1/2	21 1/4	17.4
FB 900x500	35 3/8	36 1/4	37	19 3/4	20 1/2	21 1/4	18.5
FB 1000x500	39 3/8	40 5/2	41	19 3/4	20 1/2	21 1/4	19.6



## FEATURES

- Panel type air filters are applied for supply air and sometimes extract air purification in rectangular duct ventilating and conditioning systems. Designed for protection of the air ducts, heat exchangers, control equipment and other ventilating equipment against dusting. The filters minimize wall and ceiling pollution near the air diffuser. Coarse filters can be used as first stage purification filters before more efficient filters.

## DESIGN

- The casing is made of galvanized steel. V-shaped form ensures filtering surface increase. The filtering element is made of non-woven fabric from synthetic fibers and has protecting metal mesh against deformation caused by air flow. Removable cover equipped with lever locks provides easy and quick access to the replaceable filtering element. The filters are small-sized and are suitable even for limited space.

- Filtering class MERV 8.

## TECHNICAL DATA

