

FB SERIES

Panel filters

FBV SERIES



FEATURES

- Panel type air filters are applied for supply air and sometimes exhaust air purification in round duct ventilating and conditioning systems. Designed for protection of the air ducts, heat exchangers, control equipment and other ventilating equipment against dusting. The filters minimize wall and ceiling pollution near the air diffuser. Coarse filters can be used as first stage purification filters before more efficient filters.

MOUNTING

- The filter design ensures its mounting on the round ducts by means of clamps with respect to air flow direction indicated with the pointer on the casing. Access for the fan maintenance shall be provided for the filter cleaning or replacement.

DESIGN

- The casing is made of galvanized steel. The filtering box has connecting flanges with rubber seals for airtight connection to the air ducts. The swing-out access door equipped with lever locks provides easy and quick access to the replaceable filtering element. The filtering element is made of non-woven fabric from synthetic fibers and is fixed on the steel frame.
- **FB filter** with flat filtering element (filtering class MERV 8)
- **FBV filter** with V-filtering element with increased filtering area (filtering class MERV 8).

DESIGNATION KEY

Series	Flange diameter [in]
FB	100 - 4'
FBV	125 - 5'
SF	150 - 6'
SFV	200 - 8'
	250 - 10'
	315 - 12'



Replaceable filter SF

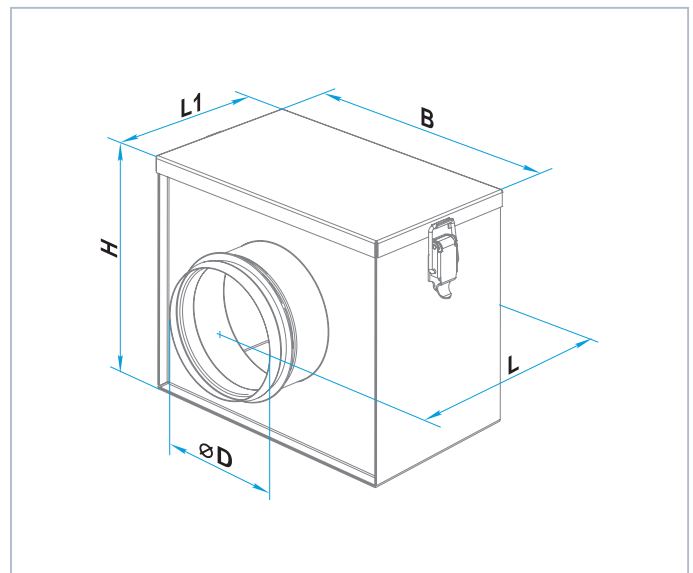


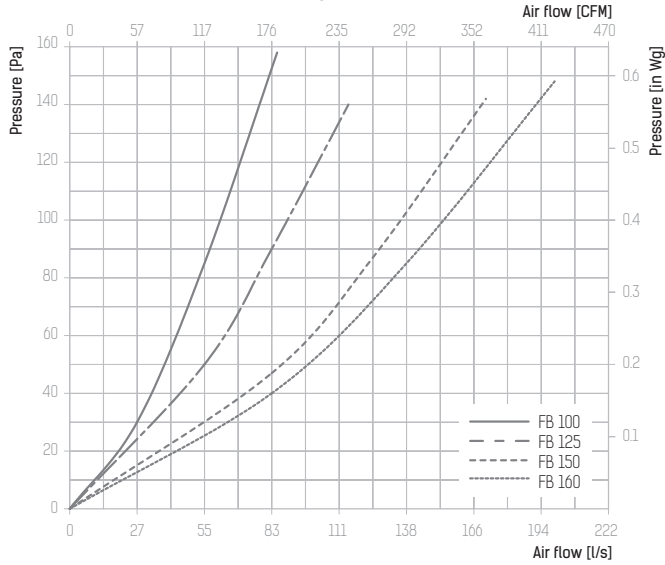
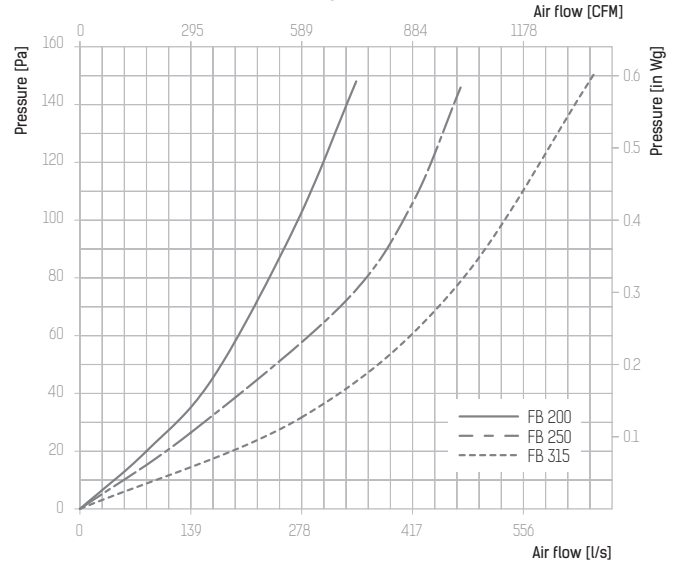
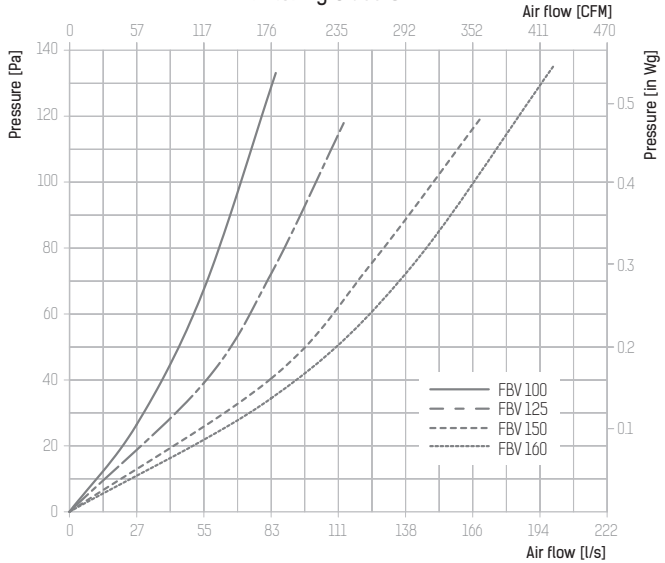
Replaceable filter SFV

OVERALL DIMENSIONS [IN]

Model	ØD	B	H	L	L1	Weight [lb]
FB 100	3 7/8	8 1/4	6 7/8	8 1/2	4 7/8	3.08
FB 125	4 7/8	8 5/8	8 1/4	9 1/4	5 5/8	3.7
FB 150	5 7/8	10 5/8	9 3/8	9 7/8	6 1/4	4.8
FB 160	6 1/4	10 5/8	9 3/8	9 7/8	6 1/4	4.8
FB 200	7 7/8	12 5/8	11	10 7/8	7 1/4	6.8
FB 250	9 7/8	14 5/8	12 7/8	12 3/4	9 1/8	9.2
FB 315	12 3/8	16 7/8	15 3/8	16 3/4	13 1/8	13.9

Model	ØD	B	H	L	L1	Weight [lb]
FBV 100	3 7/8	9 1/8	6 7/8	8 1/2	4 7/8	3.08
FBV 125	4 7/8	9 5/8	8 1/4	9 1/4	5 5/8	3.7
FBV 150	5 7/8	11 1/2	9 3/8	9 7/8	6 1/4	4.8
FBV 160	6 1/4	11 1/2	9 3/8	9 7/8	6 1/4	4.8
FBV 200	7 7/8	13 1/2	11	10 7/8	7 1/4	6.8
FBV 250	9 7/8	15 1/2	12 7/8	12 3/4	9 1/8	9.2
FBV 315	12 3/8	17 7/8	15 3/8	16 3/4	13 1/8	13.8



TECHNICAL DATA
Filtering class G4

Filtering class G4

Filtering class G4

Filtering class G4
