

DESCRIPTION

VENTS' HRV 120 R EC are the complete whole house ventilation system designed to bring a continuous supply of fresh air into the house while exhausting an equal amount of stale air.

Five year warranty.

CASING

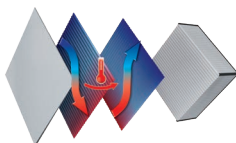
- Steel casing is covered with high-quality multilayer aluminium and zinc alloy to prevent corrosion.
- The casing is equipped with a switch to turn the ventilator off when the service panel is opened.

AIR FILTRATION

- Washable MERV 6 air filters in exhaust and supply streams.
- Optional supply: anti grease aluminum filter.

HEAT RECOVERY CORE

Polystyrene cross-flow core ensures efficient heat recovery.



FANS

High efficient electronically commutated motors with external motor and impeller with forward curved blades. EC motors are featured with high performance and total speed controllable range. The electric motors and impellers are dynamically balanced.

DEFROST SYSTEM

Recirculation or only exhaust defrost modes are available.

CONSTANT FLOW

Recirculation or only exhaust defrost modes are available. Frigate HRV 120 R EC CF has an automatic constant air flow control function to keep the air flow in supply and exhaust air ducts constant even in case of variable air resistance.

This function is provided with the integrated air flow control units. The electronic sensors convert the actual air flow to the analogue signal that is proportional to the air flow in the air duct. These signals are transmitted to the controller that controls the rotation speed of a respective fan in such a way that the actual rotations speed is equal to the set value.

MANUAL BALANCING

Manual balancing is a standard balancing system. Fan speed manually adjusted by operating on units controller (Built-in control panel with independent fan speed adjustment 0%-100%).

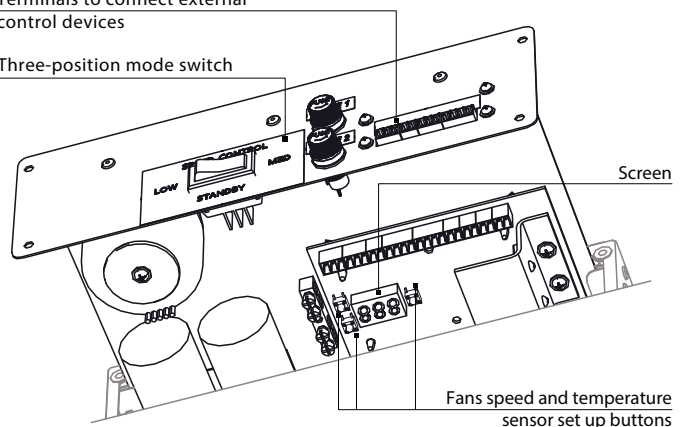
CONTROL BOARD

The unit incorporates an integrated control system with following functions:

- Operation mode switch.
- Airflow balancing enabled by supply and exhaust fan independent speed adjustment from 0 to 100% (percentage is displayed on built in screen).
- Automatic recovery core frost protection.
- External control device connection (up to 5 at the same time).

Terminals to connect external control devices

Three-position mode switch



Fans speed and temperature sensor set up buttons

SUITABLE FOR:

Bathroom / kitchen / apartments / cottages / small offices.

Tel: 888-640-0925
513-348-3853
Fax: 513-268-4597

Sales@ventsus.com
VentsUS.com
11013 Kenwood Road,
Cincinnati, Ohio 45242



Frigate HRV 120R EC

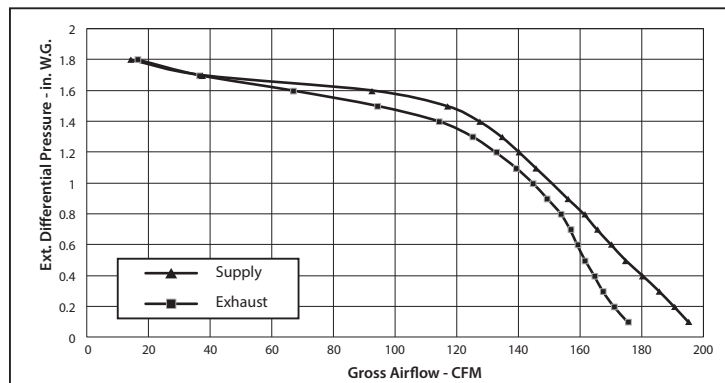
PRODUCT SPECIFICATIONS

TECHNICAL DATA

HEAT RECOVERY VENTILATION

PERFORMANCE

| EXTERNAL STATIC PRESSURE | | NET SUPPLY AIR FLOW | | GROSS AIR FLOW | | | | POWER |
|--------------------------|----------|---------------------|-----|----------------|-----|---------|-----|-------|
| | | | | SUPPLY | | EXHAUST | | |
| Pa | in. W.G. | L/s | CFM | L/s | CFM | L/s | CFM | Watts |
| 25 | 0.1 | 89 | 189 | 92 | 195 | 83 | 175 | 204 |
| 50 | 0.2 | 87 | 185 | 90 | 190 | 81 | 171 | 201 |
| 75 | 0.3 | 85 | 180 | 88 | 185 | 79 | 167 | 200 |
| 100 | 0.4 | 82 | 175 | 85 | 180 | 78 | 164 | 198 |
| 125 | 0.5 | 80 | 169 | 82 | 175 | 76 | 161 | 196 |
| 150 | 0.6 | 78 | 165 | 80 | 170 | 75 | 159 | 194 |
| 175 | 0.7 | 76 | 160 | 78 | 165 | 74 | 157 | 193 |
| 200 | 0.8 | 74 | 156 | 76 | 161 | 73 | 154 | 190 |
| 225 | 0.9 | 68 | 144 | 74 | 156 | 70 | 149 | 188 |
| 250 | 1 | 66 | 140 | 71 | 151 | 68 | 144 | 186 |
| 275 | 1.1 | 64 | 135 | 69 | 145 | 66 | 139 | 183 |
| 300 | 1.2 | 61 | 128 | 66 | 140 | 63 | 132 | 180 |
| 325 | 1.3 | 57 | 121 | 63 | 134 | 59 | 125 | 176 |
| 350 | 1.4 | 52 | 110 | 60 | 127 | 54 | 114 | 176 |
| 375 | 1.5 | 43 | 91 | 55 | 117 | 44 | 94 | 164 |
| 400 | 1.6 | 30 | 64 | 44 | 92 | 31 | 67 | 151 |
| 425 | 1.7 | 17 | 35 | 18 | 37 | 17 | 36 | 132 |
| 450 | 1.8 | 8 | 16 | 7 | 14 | 8 | 16 | 128 |



SOUND
1.9 Sones (30 L/s @ 0.2 in. W.G.)

| MODEL | Volts | Max. Watts | Max. Amps |
|-------------|------------|------------|-----------|
| HRV 120R EC | 120V, 60Hz | 204 | 2.5 |

Tel: 888-640-0925 Sales@ventsus.com
 513-348-3853 VentsUS.com
 Fax: 513-268-4597 11013 Kenwood Road,
 Cincinnati, Ohio 45242





Frigate HRV 120R EC

PRODUCT SPECIFICATIONS

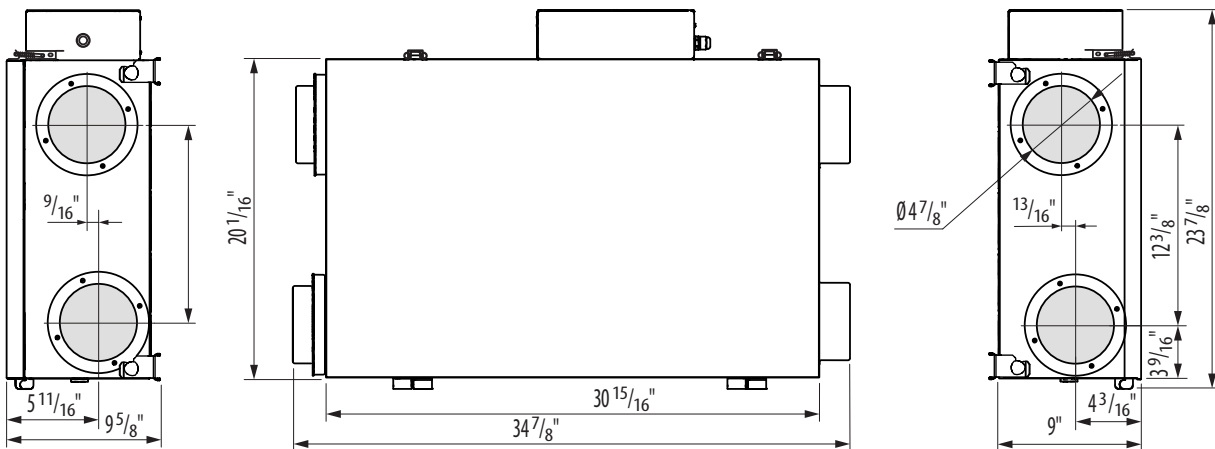
TECHNICAL DATA

HEAT RECOVERY VENTILATION

| MODE | SUPPLY TEMPERATURE | | NET AIR FLOW | | AVERAGE POWER | SENSIBLE RECOVERY EFFICIENCY | APPARENT SENSIBLE EFFECTIVENESS | NET MOISTURE TRANSFER |
|------------------------------|--------------------|----|--------------|-----|---------------|------------------------------|---------------------------------|-----------------------|
| | °C | °F | L/s | CFM | (Watts) | SRE (%) | ASEF (%) | |
| HEATING | 0 | 32 | 31 | 66 | 23 | 62 | 69 | 0.5 |
| | 0 | 32 | 45 | 95 | 50 | 60 | 67 | 0.4 |
| | 0 | 32 | 50 | 106 | 66 | 58 | 65 | 0.4 |
| ** Total Recovery Efficiency | | | | | | | | |
| COOLING | 35 | 95 | 31 | 66 | 23 | 37 ** | 61 | 0.04 |

** Indicates total recovery efficiency, not sensible recovery efficiency

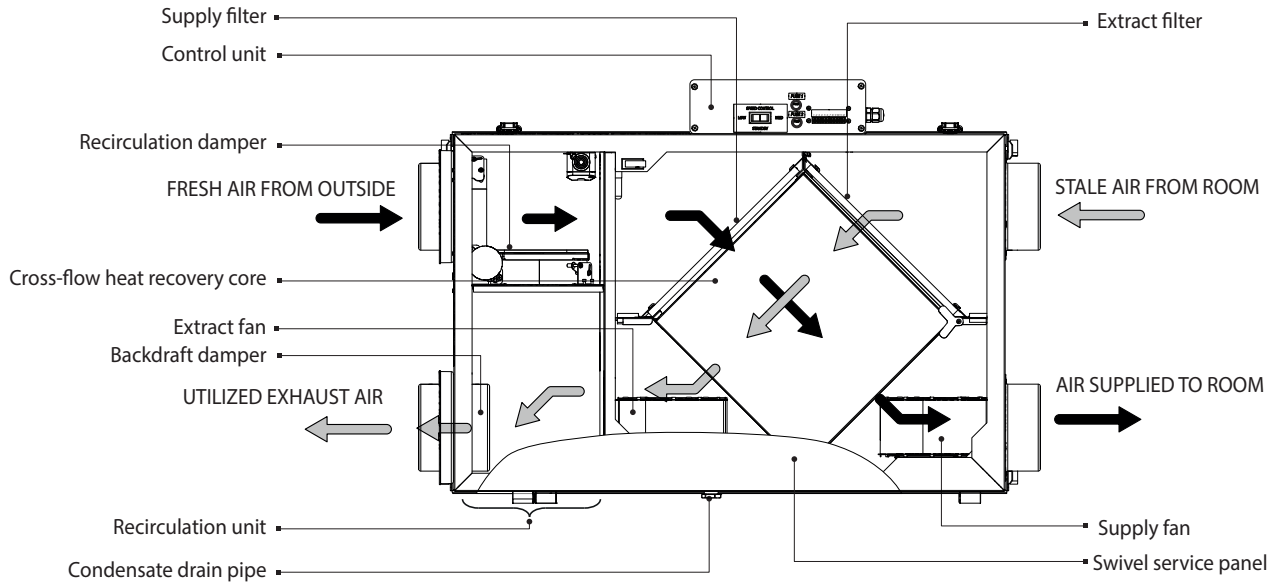
DIMENSIONS



| MODEL | QUANTITY | COMMENTS | PROJECT |
|-------|----------|----------|---------------|
| | | | location: |
| | | | architect: |
| | | | engineer: |
| | | | contractor: |
| | | | submitted by: |

Tel: 888-640-0925 Sales@ventsus.com
 513-348-3853 VentsUS.com
 Fax: 513-268-4597 11013 Kenwood Road,
 Cincinnati, Ohio 45242





| MODEL | QUANTITY | COMMENTS | PROJECT |
|-------|----------|----------|---------------|
| | | | location: |
| | | | architect: |
| | | | engineer: |
| | | | contractor: |
| | | | submitted by: |

Tel: 888-640-0925 Sales@ventsus.com
 513-348-3853 VentsUS.com
 Fax: 513-268-4597 11013 Kenwood Road,
 Cincinnati, Ohio 45242

