

JAF SERIES

Unidirectional and reversible single- and double-speed fans



Axial jet fans with fire resistance 200 °C/2 hrs, 300 °C/2 hrs, 400 °C/2 hrs for ventilation of covered parkings. Functionality. Power. Efficiency.

APPLICATION

- JAF jet axial fans are designed for general purpose ventilation of underground and semi-opened parkings, ventilation of tunnels, smoke extraction in case of fire as a part of smoke extract system. The fans generate a high-speed and high-pressure directed air jet.

MODIFICATIONS

- Unidirectional single-speed type (U).
- Unidirectional double-speed type (U).
- Reversible single-speed (R).
- Reversible double-speed (R).

DESIGN

- JAF casing has a tubular shape and is made of polymer coated steel. The fan has a sound insulation of mineral wool. The casing includes inner brackets for motor fixation. These brackets act as directing vanes and distribute air flow uniformly, thus increasing aerodynamic performances of the fan.

MOTOR

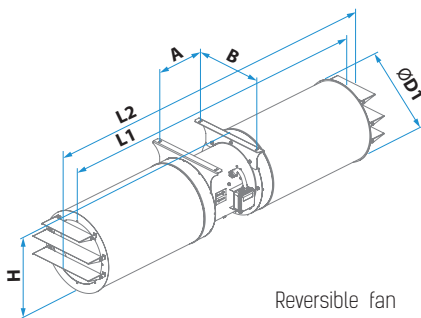
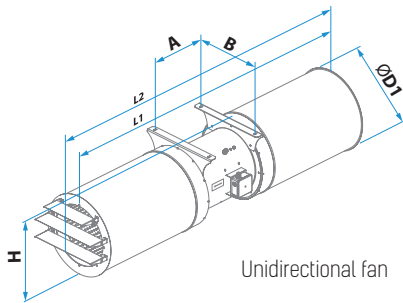
- Three-phase asynchronous short-circuit rotor motor in the fan casing.
- Motor ingress protection rating is IP55.
- The motor design ensures operation of the fan in the smoke extract systems on unidirectional and reverse modes.

IMPELLER

- Dynamically balanced impeller made of cast aluminium alloy. The reversible fans are equipped with 100 % reversible two-directional impeller.

MOUNTING

- JAF fans are designed for horizontal ceiling mounting and fixation by means of the supplied fixing brackets attached to the fan casing.



Model	Dimensions [in]					
	ØD1	A	B	H	L1	L2
Unidirectional						
JAF-KI-315-U	16 1/4	11 7/8	14	16 3/4	65 1/8	69 3/8
JAF-KI-355-U	18 3/8	11 7/8	16 1/2	19	76 7/8	81 7/8
JAF-KI-400-U	20 1/4	13 7/8	18 1/8	20 5/8	78 7/8	83 7/8
JAF-KI-450-U	22 1/4	13 7/8	19 3/4	22 5/8	78 7/8	83 7/8
JAF-KI-500-U	23 3/4	14 5/8	22 7/8	24 3/8	78 7/8	84 1/2
JAF-KI-560-U	26 1/8	17 1/2	24 3/8	26 3/4	82 3/8	88 1/2
JAF-KI-630-U	27 7/8	21 5/8	28	29 1/2	86 3/8	92 3/4
Reversible						
JAF-KI-315-R	16 1/4	11 7/8	14	17 3/4	65 1/8	73 3/4
JAF-KI-355-R	18 3/8	11 7/8	16 1/2	20 1/8	76 7/8	86 3/4
JAF-KI-400-R	20 1/4	13 7/8	18 1/8	21 3/4	78 7/8	88 3/4
JAF-KI-450-R	22 1/4	13 7/8	19 3/4	23 3/8	78 7/8	88 3/4
JAF-KI-500-R	23 3/4	14 5/8	22 7/8	24 7/8	78 7/8	90 1/8
JAF-KI-560-R	26 1/8	17 1/2	24 3/8	26 3/4	82 3/8	92 3/4
JAF-KI-630-R	27 7/8	21 5/8	28	29 1/2	86 3/8	99 1/4

Model	Casing type	Casing insulation	Size	High-powered motor	Pole number	Air flow	Climatic category	Fire resistance limit/hrs
JAF (jet axial fan)	K: round	no symbol means no sound insulation I: sound-insulated casing	315 355 400 450 500 560 630	no symbol means the only available standard size M, S: model with a high-power motor	2 2/4 (applicable for double-speed motors)	U: unidirectional R: reversible	U: moderate climate (-40...+40 °C) HL: cold climate (-60...+40 °C) UHL: moderate and cold climate (-60...+40 °C) T: tropical climate (-10...+50 °C) M: maritime moderately cold climate (-40...+40 °C) O: general climatic modification (except maritime climate) (-60...+50 °C) OM: general maritime climatic modification (-40...+40 °C) V: universal climatic modification (-60...+50 °C)	no number: max. +55 °C 200/2: 200 °C/2 hrs. 300/2: 300 °C/2 hrs. 400/2: 400 °C/2 hrs.

TECHNICAL DATA

Ø [in]	Air flow direction	Number of speeds	Model	Unit voltage [V]	Frequency [Hz]	Power [kW]	Max. air capacity [CFM]	Fan pull [N]	Air speed [ft/s]	RPM	Operating temperature [°C]	Fire resistance
12 3/8	Unidirectional	1	JAF-KI-315-2-U-...	3~400	50	0.55	2354	22	47	2880	-25 - +55 °C	55 °C
			JAF-KI-315-2-U-...-200/2								200 °C/2 h	F200
			JAF-KI-315-2-U-...-300/2								300 °C/2 h	F300
			JAF-KI-315-2-U-...-400/2								400 °C/2 h	F400
		2	JAF-KI-315M-2-U-...	3~400	50	0.75	2825	30	56	2880	-25 - +55 °C	55 °C
			JAF-KI-315M-2-U-...-200/2								200 °C/2 h	F200
			JAF-KI-315M-2-U-...-300/2								300 °C/2 h	F300
			JAF-KI-315M-2-U-...-400/2								400 °C/2 h	F400
	Reversible	1	JAF-KI-315-2/4-U-...	3~400	50	0.55 / 0.11	2354 / 1177	22 / 5.6	47 / 23	2880 / 1440	-25 - +55 °C	55 °C
			JAF-KI-315-2/4-U-...-200/2								200 °C/2 h	F200
			JAF-KI-315-2/4-U-...-300/2								300 °C/2 h	F300
			JAF-KI-315-2/4-U-...-400/2								400 °C/2 h	F400
		2	JAF-KI-315M-2/4-U-...	3~400	50	0.8 / 0.2	2825 / 2400	30 / 7.6	56 / 28	2880 / 1440	-25 - +55 °C	55 °C
			JAF-KI-315M-2/4-U-...-200/2								200 °C/2 h	F200
			JAF-KI-315M-2/4-U-...-300/2								300 °C/2 h	F300
			JAF-KI-315M-2/4-U-...-400/2								400 °C/2 h	F400
Reversible	1	JAF-KI-315-2-R-...	3~400	50	0.55	2354	22	47	2880	-25 - +55 °C	55 °C	
		JAF-KI-315-2-R-...-200/2								200 °C/2 h	F200	
		JAF-KI-315-2-R-...-300/2								300 °C/2 h	F300	
		JAF-KI-315-2-R-...-400/2								400 °C/2 h	F400	
	2	JAF-KI-315-2/4-R-...	3~400	50	0.55 / 0.11	2354 / 1177	22 / 5.5	47 / 23	2880 / 1440	-25 - +55 °C	55 °C	
		JAF-KI-315-2/4-R-...-200/2								200 °C/2 h	F200	
		JAF-KI-315-2/4-R-...-300/2								300 °C/2 h	F300	
		JAF-KI-315-2/4-R-...-400/2								400 °C/2 h	F400	
* Smoke extraction mode: once for two hours												
14	Unidirectional	1	JAF-KI-355-2-U-...	3~400	50	0.75	3470	36	54	2880	-25 - +55 °C	55 °C
			JAF-KI-355-2-U-...-200/2								200 °C/2 h	F200
			JAF-KI-355-2-U-...-300/2								300 °C/2 h	F300
			JAF-KI-355-2-U-...-400/2								400 °C/2 h	F400
		2	JAF-KI-355M-2-U-...	3~400	50	1.1	4060	48	64	2880	-25 - +55 °C	55 °C
			JAF-KI-355M-2-U-...-200/2								200 °C/2 h	F200
			JAF-KI-355M-2-U-...-300/2								300 °C/2 h	F300
			JAF-KI-355M-2-U-...-400/2								400 °C/2 h	F400
	Reversible	1	JAF-KI-355-2/4-U-...	3~400	50	0.8 / 0.2	3470 / 1700	36 / 9	54 / 27	2880 / 1440	-25 - +55 °C	55 °C
			JAF-KI-355-2/4-U-...-200/2								200 °C/2 h	F200
			JAF-KI-355-2/4-U-...-300/2								300 °C/2 h	F300
			JAF-KI-355-2/4-U-...-400/2								400 °C/2 h	F400
		2	JAF-KI-355M-2/4-U-...	3~400	50	1.1 / 0.25	4060 / 2000	48 / 12	64 / 31	2880 / 1440	-25 - +55 °C	55 °C
			JAF-KI-355M-2/4-U-...-200/2								200 °C/2 h	F200
			JAF-KI-355M-2/4-U-...-300/2								300 °C/2 h	F300
			JAF-KI-355M-2/4-U-...-400/2								400 °C/2 h	F400
Reversible	1	JAF-KI-355-2-R-...	3~400	50	1.1	3470	35	54	2880	-25 - +55 °C	55 °C	
		JAF-KI-355-2-R-...-200/2								200 °C/2 h	F200	
		JAF-KI-355-2-R-...-300/2								300 °C/2 h	F300	
		JAF-KI-355-2-R-...-400/2								400 °C/2 h	F400	
	2	JAF-KI-355-2/4-R-...	3~400	50	1.1 / 0.25	3470 / 1700	35 / 9	57 / 27	2880 / 1440	-25 - +55 °C	55 °C	
		JAF-KI-355-2/4-R-...-200/2								200 °C/2 h	F200	
		JAF-KI-355-2/4-R-...-300/2								300 °C/2 h	F300	
		JAF-KI-355-2/4-R-...-400/2								400 °C/2 h	F400	
* Smoke extraction mode: once for two hours												
15 3/4	Unidirectional	1	JAF-KI-400-2-U-...	3~400	50	1.1	5000	57	62	2880	-25 - +55 °C	55 °C
			JAF-KI-400-2-U-...-200/2								200 °C/2 h	F200
			JAF-KI-400-2-U-...-300/2								300 °C/2 h	F300
			JAF-KI-400-2-U-...-400/2								400 °C/2 h	F400
		2	JAF-KI-400M-2-U-...	3~400	50	2.2	5826	77	72	2880	-25 - +55 °C	55 °C
			JAF-KI-400M-2-U-...-200/2								200 °C/2 h	F200
			JAF-KI-400M-2-U-...-300/2								300 °C/2 h	F300
			JAF-KI-400M-2-U-...-400/2								400 °C/2 h	F400

Ø [in]	Air flow direction	Number of speeds	Model	Unit voltage [V]	Frequency [Hz]	Power [kW]	Max. air capacity [CFM]	Fan pull [N]	Air speed [ft/s]	RPM	Operating temperature [°C]	Fire resistance
15 ^{3/4}	Unidirectional	2	JAF-KI-400-2/4-U-...	3~400	50	1.1 / 0.25	5000 / 2470	57 / 14	62 / 30	2880 / 1440	-25 – +55 °C	55 °C
			JAF-KI-400-2/4-U-...-200/2								200 °C/2 h	F200
			JAF-KI-400-2/4-U-...-300/2								300 °C/2 h	F300
			JAF-KI-400-2/4-U-...-400/2								400 °C/2 h	F400
		JAF-KI-400M-2/4-U-...	3~400	50	2.2 / 0.5	5826 / 2884	77 / 19	72 / 36	2880 / 1440	-25 – +55 °C	55 °C	
		JAF-KI-400M-2/4-U-...-200/2								200 °C/2 h	F200	
		JAF-KI-400M-2/4-U-...-300/2								300 °C/2 h	F300	
		JAF-KI-400M-2/4-U-...-400/2								400 °C/2 h	F400	
	Reversible	1	JAF-KI-400-2-R-...	3~400	50	1.5	4944	55	61	2880	-25 – +55 °C	55 °C
			JAF-KI-400-2-R-...-200/2								200 °C/2 h	F200
			JAF-KI-400-2-R-...-300/2								300 °C/2 h	F300
			JAF-KI-400-2-R-...-400/2								400 °C/2 h	F400
		2	JAF-KI-400-2/4-R-...	3~400	50	1.5 / 0.37	4944 / 2470	55 / 13.9	62 / 30	2880 / 1440	-25 – +55 °C	55 °C
			JAF-KI-400-2/4-R-...-200/2								200 °C/2 h	F200
* Smoke extraction mode: once for two hours												
17 ^{3/4}	Unidirectional	1	JAF-KI-450-2-U-...	3~400	50	1.5	6298	71	61.3	2880	-25 – +55 °C	55 °C
			JAF-KI-450-2-U-...-200/2								200 °C/2 h	F200
			JAF-KI-450-2-U-...-300/2								300 °C/2 h	F300
			JAF-KI-450-2-U-...-450/2								400 °C/2 h	F400
			JAF-KI-450M-2-U-...	3~400	50	2.2	7000	88	68	2880	-25 – +55 °C	55 °C
			JAF-KI-450M-2-U-...-200/2								200 °C/2 h	F200
			JAF-KI-450M-2-U-...-300/2								300 °C/2 h	F300
			JAF-KI-450M-2-U-...-400/2								400 °C/2 h	F400
		JAF-KI-450S-2-U-...	3~400	50	3	7534	106	73	2880	-25 – +55 °C	55 °C	
		JAF-KI-450S-2-U-...-200/2								200 °C/2 h	F200	
		JAF-KI-450S-2-U-...-300/2								300 °C/2 h	F300	
		JAF-KI-450S-2-U-...-400/2								400 °C/2 h	F400	
		2	JAF-KI-450-2/4-U-...	3~400	50	1.5 / 0.37	6298 / 3119	71 / 18	61.3 / 30	2880 / 1440	-25 – +55 °C	55 °C
			JAF-KI-450-2/4-U-...-200/2								200 °C/2 h	F200
			JAF-KI-450-2/4-U-...-300/2								300 °C/2 h	F300
			JAF-KI-450-2/4-U-...-400/2								400 °C/2 h	F400
			JAF-KI-450M-2/4-U-...	3~400	50	2.2 / 0.5	7000 / 3470	88 / 22	68 / 34	2880 / 1440	-25 – +55 °C	55 °C
			JAF-KI-450M-2/4-U-...-200/2								200 °C/2 h	F200
			JAF-KI-450M-2/4-U-...-300/2								300 °C/2 h	F300
			JAF-KI-450M-2/4-U-...-400/2								400 °C/2 h	F400
	JAF-KI-450S-2/4-U-...	3~400	50	2.5 / 0.65	7534 / 3767	106 / 26	73 / 37	2880 / 1440	-25 – +55 °C	55 °C		
	JAF-KI-450S-2/4-U-...-200/2								200 °C/2 h	F200		
	JAF-KI-450S-2/4-U-...-300/2								300 °C/2 h	F300		
	JAF-KI-450S-2/4-U-...-400/2								400 °C/2 h	F400		
	Reversible	1	JAF-KI-450-2-R-...	3~400	50	1.5	5945	63	58	2880	-25 – +55 °C	55 °C
			JAF-KI-450-2-R-...-200/2								200 °C/2 h	F200
			JAF-KI-450-2-R-...-300/2								300 °C/2 h	F300
			JAF-KI-450-2-R-...-450/2								400 °C/2 h	F400
			JAF-KI-450M-2-R-...	3~400	50	2.2	6769	82	66	2880	-25 – +55 °C	55 °C
			JAF-KI-450M-2-R-...-200/2								200 °C/2 h	F200
			JAF-KI-450M-2-R-...-300/2								300 °C/2 h	F300
			JAF-KI-450M-2-R-...-400/2								400 °C/2 h	F400
JAF-KI-450S-2-R-...		3~400	50	3	7180	96	70	2880	-25 – +55 °C	55 °C		
JAF-KI-450S-2-R-...-200/2									200 °C/2 h	F200		
JAF-KI-450S-2-R-...-300/2									300 °C/2 h	F300		
JAF-KI-450S-2-R-...-400/2									400 °C/2 h	F400		
2	JAF-KI-450-2/4-R-...	3~400	50	1.5 / 0.37	5945 / 2943	63 / 16	58 / 29	2880 / 1440	-25 – +55 °C	55 °C		
	JAF-KI-450-2/4-R-...-200/2								200 °C/2 h	F200		
	JAF-KI-450-2/4-R-...-300/2								300 °C/2 h	F300		
	JAF-KI-450-2/4-R-...-400/2								400 °C/2 h	F400		

Ø [in]	Air flow direction	Number of speeds	Model	Unit voltage [V]	Frequency [Hz]	Power [kW]	Max. air capacity [CFM]	Fan pull [N]	Air speed [ft/s]	RPM	Operating temperature [°C]	Fire resistance
17 ^{3/4}	Reversible	2	JAF-KI-450M-2/4-R-...	3~400	50	22 / 0.5	6768 / 3355	82 / 20	65 / 33	2880 / 1440	-25 - +55 °C	55 °C
			JAF-KI-450M-2/4-R-...-200/2								200 °C/2 h	F200
			JAF-KI-450M-2/4-R-...-300/2								300 °C/2 h	F300
			JAF-KI-450M-2/4-R-...-400/2								400 °C/2 h	F400
		JAF-KI-450S-2/4-R-...	3~400	50	2.5 / 0.65	7181 / 3530	96 / 24	70 / 34	2880 / 1440	-25 - +55 °C	55 °C	
		JAF-KI-450S-2/4-R-...-200/2								200 °C/2 h	F200	
		JAF-KI-450S-2/4-R-...-300/2								300 °C/2 h	F300	
		JAF-KI-450S-2/4-R-...-400/2								400 °C/2 h	F400	

* Smoke extraction mode: once for two hours

19 ^{3/4}	Unidirectional	2	JAF-KI-500-2/4-U-...	3~400	50	31 / 0.8	9770 / 4826	143 / 36	77 / 38	2880 / 1440	-25 - +55 °C	55 °C
JAF-KI-500-2/4-U-...-200/2	200 °C/2 h	F200										
JAF-KI-500-2/4-U-...-300/2	300 °C/2 h	F300										
JAF-KI-500-2/4-U-...-400/2	400 °C/2 h	F400										
JAF-KI-500M-2/4-U-...	3~400	50	4.4 / 1.1	11065 / 5533	183 / 45	87 / 44	2880 / 1440	-25 - +55 °C	55 °C			
JAF-KI-500M-2/4-U-...-200/2	200 °C/2 h	F200										
JAF-KI-500M-2/4-U-...-300/2	300 °C/2 h	F300										
JAF-KI-500M-2/4-U-...-400/2	400 °C/2 h	F400										
Reversible	2	JAF-KI-500-2/4-R-...	3~400	50	2.5 / 0.65	8299 / 4120	103 / 25	65 / 33	2880 / 1440	-25 - +55 °C	55 °C	
JAF-KI-500-2/4-R-...-200/2	200 °C/2 h	F200										
JAF-KI-500-2/4-R-...-300/2	300 °C/2 h	F300										
JAF-KI-500-2/4-R-...-400/2	400 °C/2 h	F400										
JAF-KI-500M-2/4-R-...	3~400	50	4.4 / 1.1	9417 / 4708	132 / 33	74 / 37	2880 / 1440	-25 - +55 °C	55 °C			
JAF-KI-500M-2/4-R-...-200/2	200 °C/2 h	F200										
JAF-KI-500M-2/4-R-...-300/2	300 °C/2 h	F300										
JAF-KI-500M-2/4-R-...-400/2	400 °C/2 h	F400										

* Smoke extraction mode: once for two hours

22	Unidirectional	2	JAF-KI-560-2/4-U-...	3~400	50	4.4 / 1.1	12595 / 6240	185 / 46	79 / 39	2880 / 1440	-25 - +55 °C	55 °C
JAF-KI-560-2/4-U-...-200/2	200 °C/2 h	F200										
JAF-KI-560-2/4-U-...-300/2	300 °C/2 h	F300										
JAF-KI-560-2/4-U-...-400/2	400 °C/2 h	F400										
JAF-KI-560M-2/4-U-...	3~400	50	8 / 2	14420 / 7180	245 / 61	90 / 45	2880 / 1440	-25 - +55 °C	55 °C			
JAF-KI-560M-2/4-U-...-200/2	200 °C/2 h	F200										
JAF-KI-560M-2/4-U-...-300/2	300 °C/2 h	F300										
JAF-KI-560M-2/4-U-...-400/2	400 °C/2 h	F400										
Reversible	2	JAF-KI-560-2/4-R-...	3~400	50	4.4 / 1.1	10712 / 5297	134 / 33	67 / 33	2880 / 1440	-25 - +55 °C	55 °C	
JAF-KI-560-2/4-R-...-200/2	200 °C/2 h	F200										
JAF-KI-560-2/4-R-...-300/2	300 °C/2 h	F300										
JAF-KI-560-2/4-R-...-400/2	400 °C/2 h	F400										
JAF-KI-560M-2/4-R-...	3~400	50	6 / 1.5	12360 / 6180	177 / 44	78 / 39	2880 / 1440	-25 - +55 °C	55 °C			
JAF-KI-560M-2/4-R-...-200/2	200 °C/2 h	F200										
JAF-KI-560M-2/4-R-...-300/2	300 °C/2 h	F300										
JAF-KI-560M-2/4-R-...-400/2	400 °C/2 h	F400										

* Smoke extraction mode: once for two hours

24 ^{3/4}	Unidirectional	2	JAF-KI-630-2/4-U-...	3~400	50	12 / 3	17657 / 8830	208 / 74	88 / 44	2880 / 1440	-25 - +55 °C	55 °C
JAF-KI-630-2/4-U-...-200/2	200 °C/2 h	F200										
JAF-KI-630-2/4-U-...-300/2	300 °C/2 h	F300										
JAF-KI-630-2/4-U-...-400/2	400 °C/2 h	F400										
JAF-KI-630M-2/4-U-...	3~400	50	16 / 4	20894 / 10420	16 1/4 / 103	104 / 52	2880 / 1440	-25 - +55 °C	55 °C			
JAF-KI-630M-2/4-U-...-200/2	200 °C/2 h	F200										
JAF-KI-630M-2/4-U-...-300/2	300 °C/2 h	F300										
JAF-KI-630M-2/4-U-...-400/2	400 °C/2 h	F400										
Reversible	2	JAF-KI-630-2/4-R-...	3~400	50	12 / 3	17657 / 8830	300 / 75	88 / 44	2880 / 1440	-25 - +55 °C	55 °C	
JAF-KI-630-2/4-R-...-200/2	200 °C/2 h	F200										
JAF-KI-630-2/4-R-...-300/2	300 °C/2 h	F300										
JAF-KI-630-2/4-R-...-400/2	400 °C/2 h	F400										
JAF-KI-630M-2/4-R-...	3~400	50	16 / 4	19423 / 9417	358 / 89	97 / 47	2880 / 1440	-25 - +55 °C	55 °C			
JAF-KI-630M-2/4-R-...-200/2	200 °C/2 h	F200										
JAF-KI-630M-2/4-R-...-300/2	300 °C/2 h	F300										
JAF-KI-630M-2/4-R-...-400/2	400 °C/2 h	F400										

* Smoke extraction mode: once for two hours