

# MA SERIES

AXIAL FAN



## DESCRIPTION

Axial extract MA fans with automatic shutters. Designed for through the wall or wall mount application. Air performance tested as per AMCA standards. Certified by ETL and conforms to UL & ULC electrical safety standards.

## APPLICATIONS

- Bathroom exhaust
- Living area

## CASING

Durable plastic housing constructed of ETL recognized, UV protected thermo-plastic resin (flame rating - 5VA).

## MOTOR

Sleeve bearing motor ensures quiet operation and designed for operation up to 20,000 hours. Suitable for air stream temperature from 34 °F to 113 °F.

## BENEFITS

- Sizes available from 4", 5", 6"
- Quiet and powerful
- Vibration free operation
- Easy installation
- Corrosion resistant
- UV resistant, UL94 certified plastic
- ETL listed



Tel: 888-640-0925  
Fax: 513-268-4597

Sales@vents-us.com  
Vents-us.com  
400 Murray Rd,  
Cincinnati, OH 45217

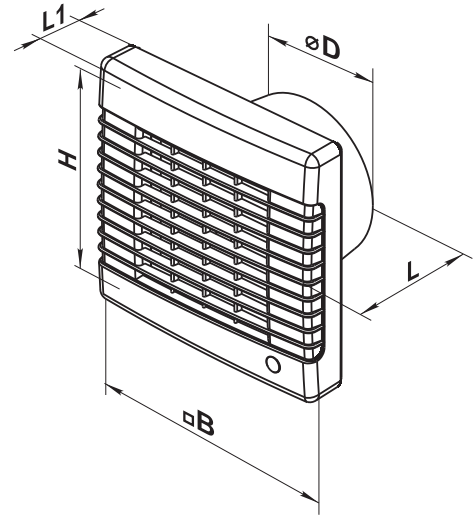
**HVI**  
MEMBER™



**HARDI**

**DIMENSIONS**

Model	Measurements [in.]				
	B	H	L	ØD	L1
<b>100 MA</b>	6 <sup>1</sup> / <sub>2</sub> "	5 <sup>7</sup> / <sub>8</sub> "	3 <sup>5</sup> / <sub>8</sub> "	3 <sup>7</sup> / <sub>8</sub> "	1 <sup>1</sup> / <sub>4</sub> "
<b>125 MA</b>	7 <sup>1</sup> / <sub>2</sub> "	6 <sup>3</sup> / <sub>16</sub> "	3 <sup>7</sup> / <sub>8</sub> "	4 <sup>15</sup> / <sub>16</sub> "	1 <sup>5</sup> / <sub>16</sub> "
<b>150 MA</b>	8 <sup>3</sup> / <sub>8</sub> "	7 <sup>11</sup> / <sub>16</sub> "	4 <sup>1</sup> / <sub>2</sub> "	5 <sup>7</sup> / <sub>8</sub> "	1 <sup>5</sup> / <sub>16</sub> "


**PERFORMANCE**

## AMCA International Licensed Products

Model	RPM*	Sones	Duct Dia	Watts*	Amps*	CFM vs. Static Pressure (Ps) in WG			Volts
						0"	0.03"	Max Ps	
<b>100 MA</b>	2756	1.82	4"	17	0.18	44	37	0.17	120 / 60 Hz

## AMCA International Non-Licensed Products

Model	RPM*	Sones	Duct Dia	Watts*	Amps*	CFM vs. Static Pressure (Ps) in WG			Volts
						0"	0.03"	Max Ps	
<b>125 MA</b>	2150	2.6	5"	19.2	0.21	102	90	0.18	120 / 60 Hz
<b>150 MA</b>	2130	2.7	6"	35.2	0.4	176	158	0.196	120 / 60 Hz

**SPECIFICATION**

Voltage: 120 V, 60 Hz  
 Motor: AC motor  
 Duct compatibility: Ø 4", 5", 6"  
 Airflow capacity: up to 176 CFM  
 Sones: 1.82 - 2.7

Power consumption: 17 - 35.2 W  
 Suitable for working airstreams up to 113 °F  
 IPX34 protection  
 Five year warranty