

INSTALLATION GUIDE

VENTILATION GRILLES

MV BVS 100

MV BVS 125

MV BVS 150



INSTALLATION

Tools required



Pencil



Drill



Hammer



Screwdriver



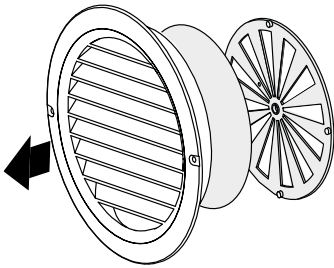
Dowel (2 pcs.)



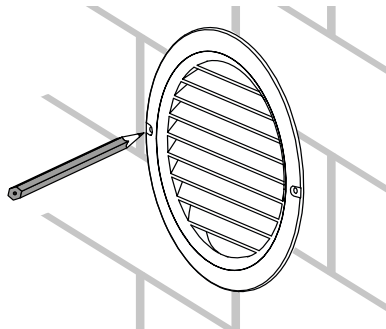
Screws (2 pcs.)

MOUNTING

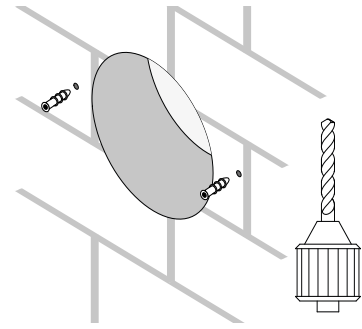
1 DISASSEMBLE THE GRATE



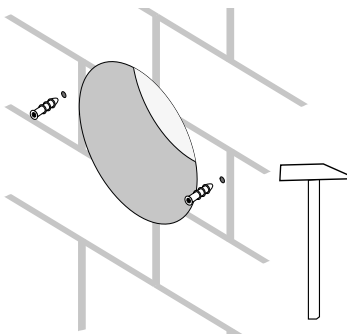
2 MAKE A MARK FOR THE HOLES FOR FASTENER



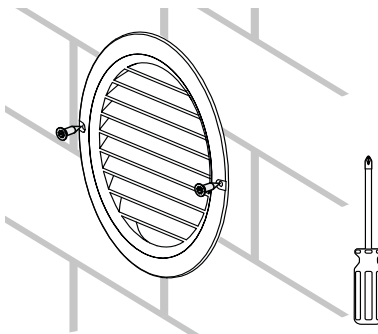
3 DRILL HOLES ON THE MOUNTING SURFACE ACCORDING TO THE MARKING



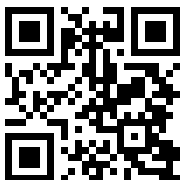
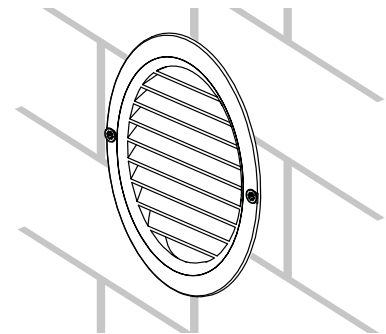
4 INSERT THE DOWELS IN THE HOLES



5 FIX THE FRAME SURFACE WITH SCREWS



6 INSTALL THE FILTER AND FIX THE HOOD



www.vents-us.com

Vents-US
400 Murray Road, Cincinnati, OH 45217, USA
Tel: 1-888-640-0925, 513-583-5786, Fax: 513-268-4597
E-mail: support@ventsus.com