

MV 120 S, MV 120 VS SERIES

PLASTIC GRILLES



DESCRIPTION

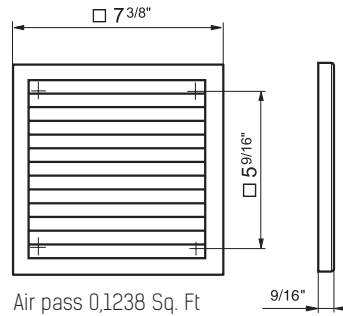
Especially designed for extract and input ventilation. Suitable for wall or ceiling mounting. The grille contains mosquito screen.

The "Snap in Place" feature provides quick access to the inner part of the grille allowing easy cleaning. Simple screw mounting.

Colors available are indicated in the color chart. Grilles are manufactured of ABS plastic (flame rating – 5VA).

MV 120 S

Features mosquito screen and no collar



MV 120 VS

Compatible with 5" diameter duct and includes mosquito screen

