

MVM

INSTALLATION

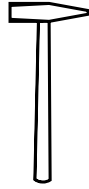
TOOLS REQUIRED



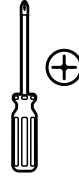
Pencil



Drill



Hammer



Screwdriver

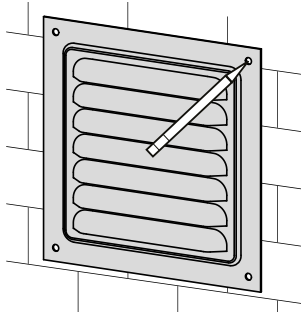


Dowel 4 pc for
1/4" openings

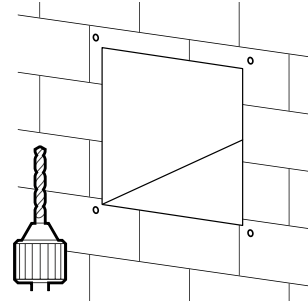


Screws 4 pc
for 3/16" openings

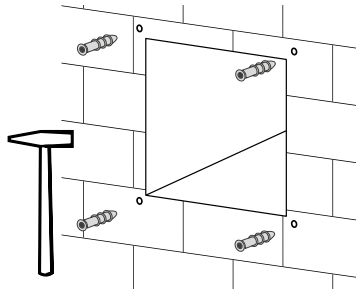
- 1 MARK FASTENING HOLES USING THE FRAME.



- 2 DRILL HOLES ON THE MOUNTING SURFACE ACCORDING TO THE MARKING.



- 3 INSERT THE DOWELS IN THE HOLES.



- 4 FIX THE GRILLE ON THE MOUNTING FRAME WITH SCREWS.

