

INSTALLATION GUIDE

VENTILATION GRILLES

MV PFS 80
 MV PFS 100
 MV PFS 125
 MV PFS 150
 MV PFS 200/150
 MV PFS 250
 MV PFS 315



INSTALLATION

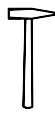
Tools required



Pencil



Drill



Hammer



Screwdriver



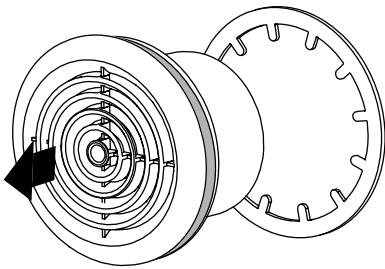
Dowel (4 pcs.)



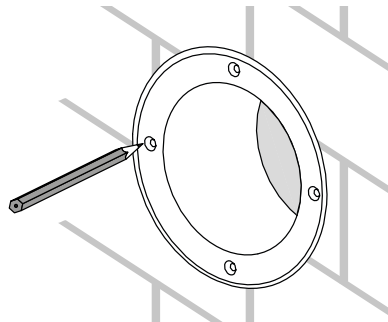
Screws (4 pcs.)

MOUNTING

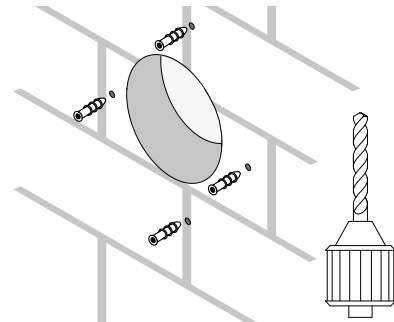
1 DISASSEMBLE THE GRATE



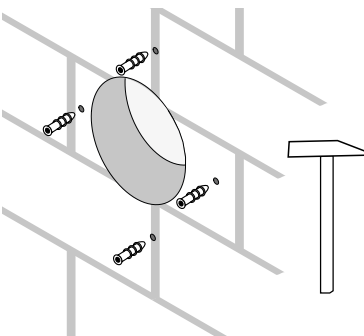
2 MAKE A MARK FOR THE HOLES FOR FASTENER



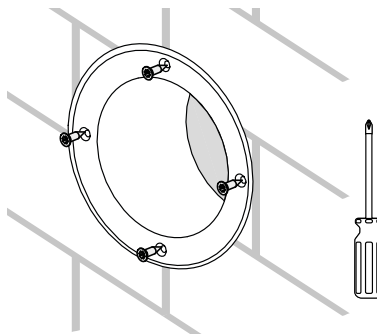
3 DRILL HOLES ON THE MOUNTING SURFACE ACCORDING TO THE MARKING



4 INSERT THE DOWELS IN THE HOLES



5 FIX THE FRAME SURFACE WITH SCREWS



6 INSTALL THE FILTER AND FIX THE HOOD

