

INSTALLATION GUIDE

INDUSTRIAL ELECTRIC AXIAL FANS

OV 1 200

OV1 250

OV1 315

OVK1 200

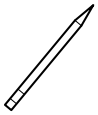
OVK1 250

OVK1 315



INSTALLATION

Tools required



Pencil



Drill

(Ø 10 mm for OB1/OBK1 150,200,250)

(Ø 12mm for OB1/OBK1 315)



Screwdriver



Dowel

(NTS 10/60 for OB1/OBK1 150,200,250)

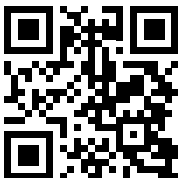
(NTS 12/60 for OB1/OBK1 315)



Screws

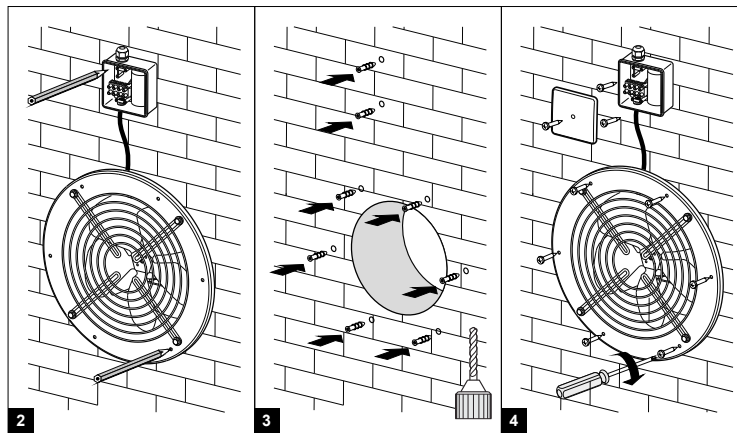
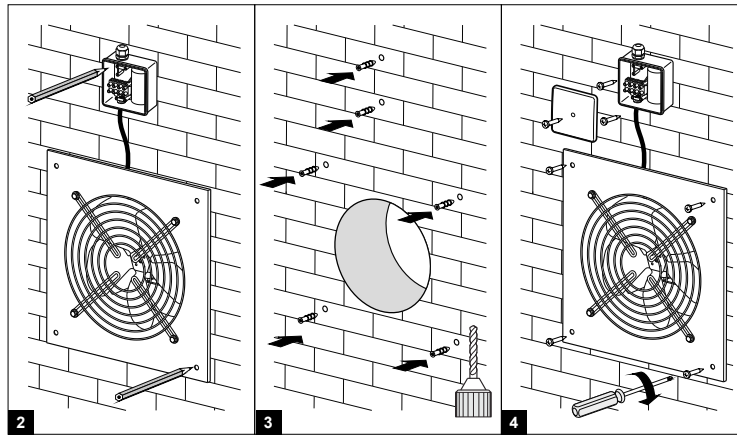
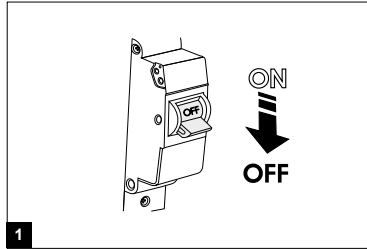
(6,0x60 mm
for OB1/OBK1 150,200,250)

(8,0x60 mm for OB1/OBK1 315)

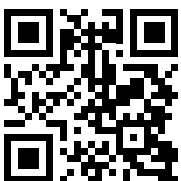


FAN INSTALLATION:

- 1) Disconnect the fan from power mains prior to any installation works.
- 2) Remove the cover from the terminal block. Mark holes on the wall.
- 3) Drill the holes in the wall.
- 4) Fix the fan. Connect the cables according to the wiring diagram. Install the terminal block cover.

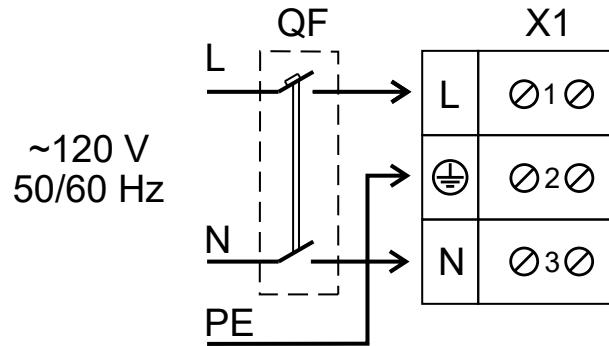


The fan must be connected using durable, insulated and heat-resistant cables and wires. The external lead-in must be equipped with a QF automatic circuit breaker



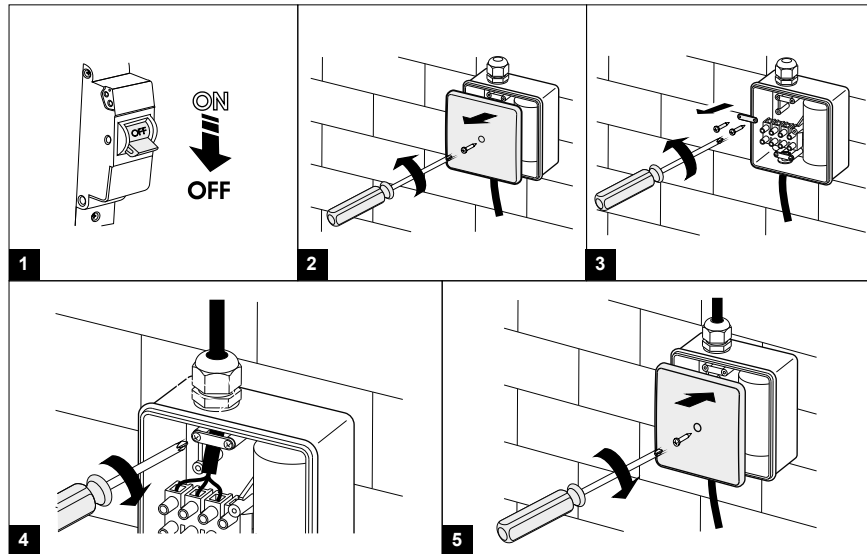
with a with magnetic trip built into the stationary wiring capable of disconnecting all the phases. The location of the QF external circuit breaker must ensure free access for quick shutdown of the fan. The protection trip current must be consistent with the current consumption of the fan. The fans are connected to the power mains in accordance with the applicable wiring diagram.

Connection of fans with single-phase motors to AC mains



FAN CONNECTION:

- 1) Disconnect the fan from power supply.
- 2) Remove the cover from the terminal block.
- 3) Remove the cable clamp.
- 4) Connect the cables according, install the cable clamp.
- 5) Install the terminal block cover



Connection of the fan and standard wall socket



