

INSTALLATION GUIDE

AXIAL FANS

QUIETLINE 100/125/150



INSTALLATION

Tools required



Pencil



Drill



Screwdriver



Dowel (4 pcs.)



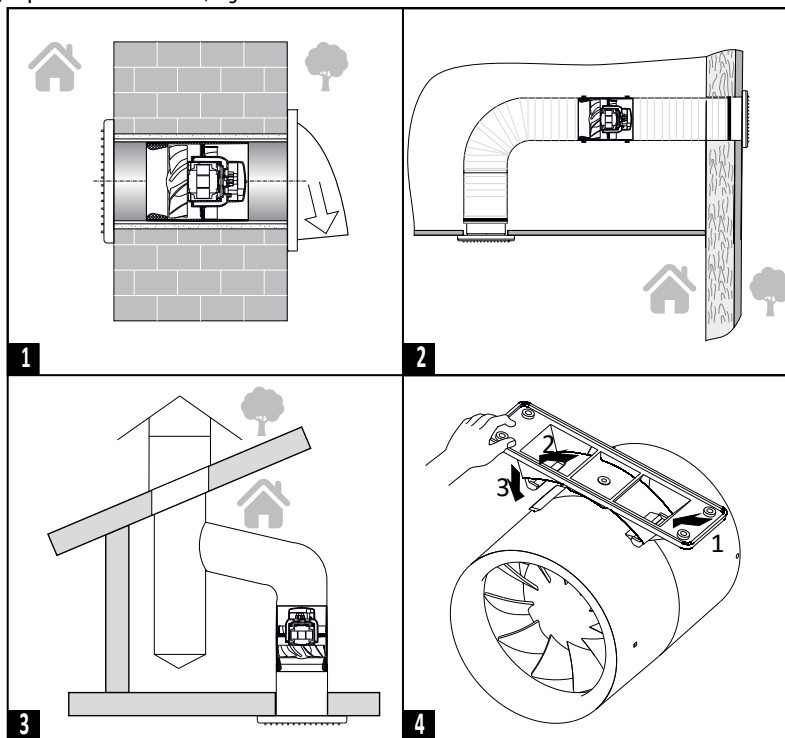
Screws(4 pcs.)

MOUNTING

The fan is designed for vertical or horizontal installation and connection to a round air duct of a matching diameter, Fig. 1-3.

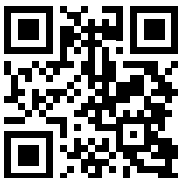
In case of vertical mounting the fan must be protected against ingress of rainfalls and condensate inside the fan.

Fan installation with direct air discharge upwards is not allowed, Fig. 3.



Use the supplied fixing bracket for mounting.

Attachment of the fixing bracket to the fan is shown in Fig. 4.



5) DISCONNECT THE FAN FROM POWER SUPPLY.

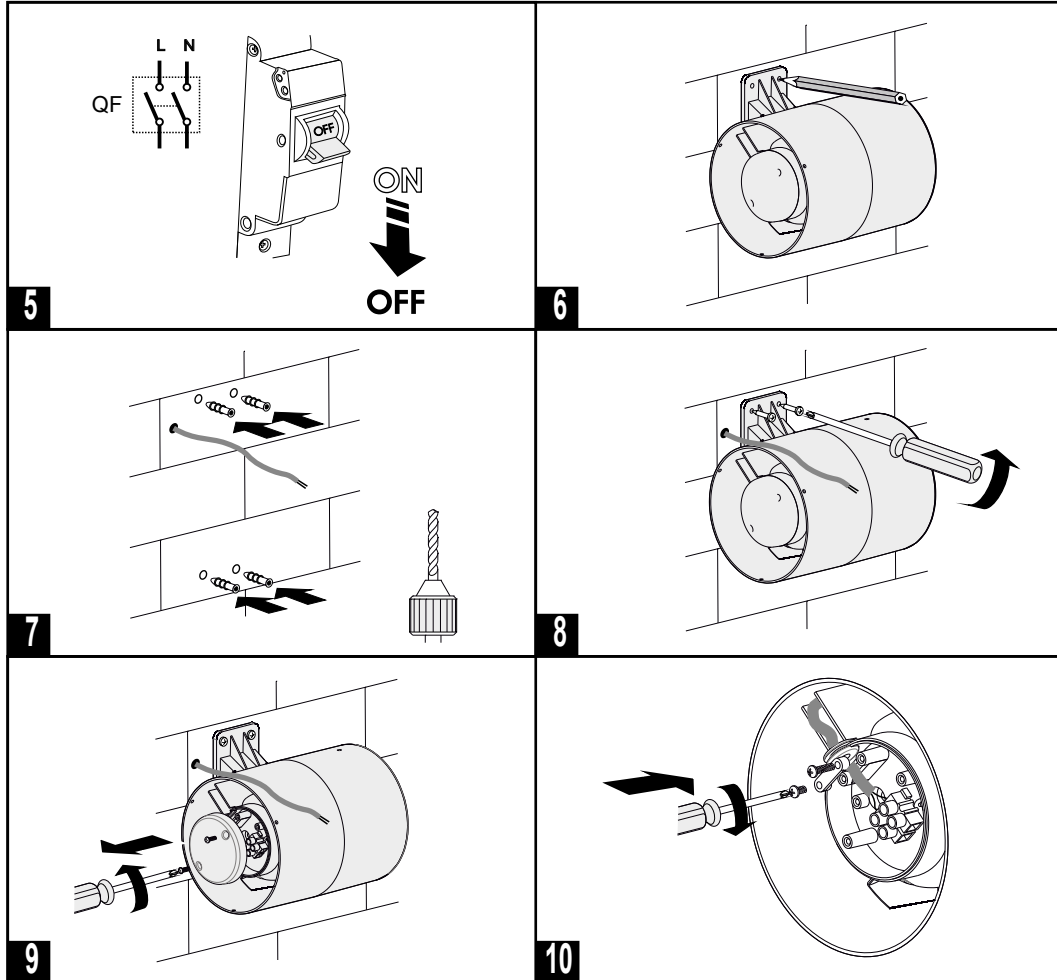
6) Mark holes on the wall.

7) DRILL THE HOLES AND INSERT THE EXPANSION ANCHORS.

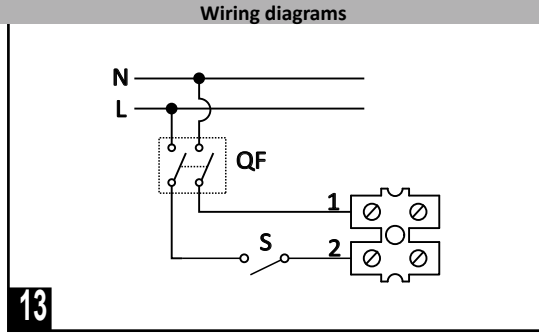
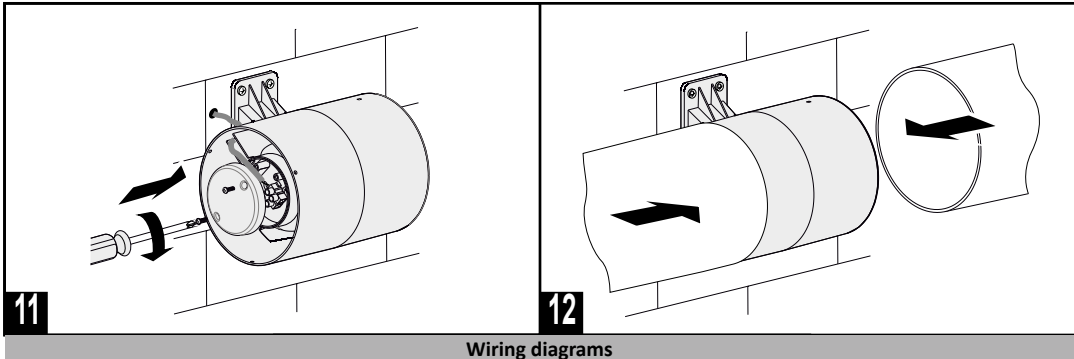
8) Fix the fan.

9) Remove the cover from the terminal block.

10) Connect the cables according to the wiring diagram (13). Install the cable clamp.



- 11) Remove the cover from the terminal block.
- 12) Connect air ducts.



Connection of the fan and standard wall socket

