



DESCRIPTION

Turbo Tube PRO series is the new ideal engineering solution for premises where powerful airflow is required. The unique motor, powerful mixed flow impeller and special aerodynamic casing combination enables the Turbo Tube PRO fans to deliver superb airflow performance even at higher static pressures typically found in extensive ventilation systems. The Removable Body, including motor, impeller and junction box, is the Ultimate Solution for Easy Installation & cleaning. Turbo Tube PRO fans are compatible with 4", 5", 6" diameter ducts.

CASING

The fan's casing is made of high quality, UV resistant plastic (UL94 certified plastic). It is equipped with a mounting plate to attach the fan to the wall or ceiling.

MOTOR

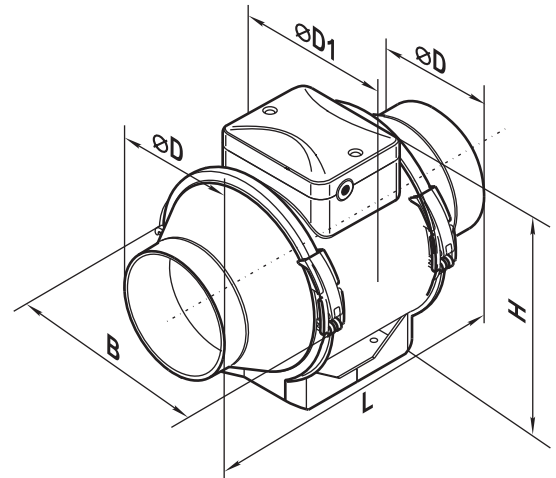
Motors are supplied with automatic reset thermal protection and are equipped with ball bearings for longer service life (40,000 hrs). Suitable for air stream temperature up to 140 °F.

SUITABLE FOR:

Kitchen / pools / stores / bars / restaurants / offices / public institutions / manufactures etc

DIMENSIONS

Model	Measurements [in.]					lbs
	ØD	ØD1	B	H	L	
TT PRO 125	4 7/8"	6 3/8"	7 1/2"	8 7/8"	10 1/8"	4.0



PERFORMANCE

Model	Duct dia	Speed	RPM*	Watts*	Amps*	CFM vs. Static Pressure (Ps) in WG											Max Ps. In WG	Volts
						0	0.1	0.2	0.3	0.4	0.5	0.6	0.7	0.8	0.9	1		
TT PRO 125	5"	high	3003	62	0.53	285	268	250**	230	209**	153	99**	62	31	0	0	0.87	120 V / 60 Hz
		low	2570	48	0.42	218	205	190**	174	144**	107	72**	42	11	0	0	0.82	

* The parameters RPM, Watts, Amps are indicated at 0.2 in WG static pressure.
 ** HVI rated