



## DESCRIPTION

The inline Mixed Flow fan – Turbo Tube Silent M series was developed following the latest worldwide ventilation trends. The main benefits are the Superb Low Noise and Excellent Aerodynamics.

Turbo Tube Silent M fans provide ultra quiet operation & excellent air flow even in high pressure systems. The specifically designed and optimized case and the new aerodynamic mixed flow impeller ensure the highest performance.

Turbo Tube Silent M fans are compatible with 4", 5", 6", 8", 10", 12 <sup>3/8"</sup> diameter ducts.

## CASING

The fan has metal noise absorbing case. It is equipped with a mounting plate to attach the fan to the wall or ceiling.

## MOTOR

Motors are supplied with automatic reset thermal protection and are equipped with ball bearings for longer service life (40,000 hrs).

Suitable for air stream temperature up to 140 °F.

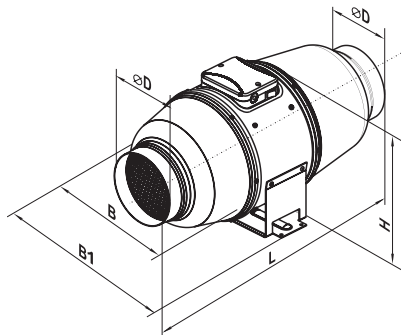
## SUITABLE FOR:

Kitchen / pools / stores / bars / restaurants / offices / public institutions / manufacturies etc

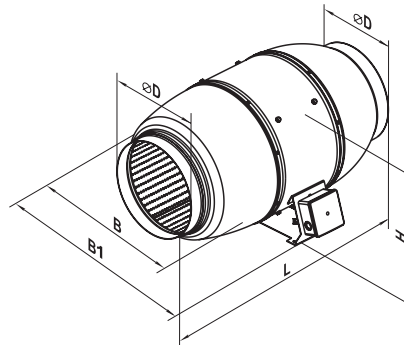
## DIMENSIONS

| Model           | Measurements [in.]  |                     |                      |                     |                      |
|-----------------|---------------------|---------------------|----------------------|---------------------|----------------------|
|                 | ØD                  | B                   | B1                   | H                   | L                    |
| TT Silent M 100 | 3 <sup>7/8"</sup>   | 8 <sup>7/16"</sup>  | 9 <sup>9/16"</sup>   | 9 <sup>5/16"</sup>  | 19 <sup>7/8"</sup>   |
| TT Silent M 125 | 4 <sup>13/16"</sup> | 8 <sup>7/16"</sup>  | 9 <sup>9/16"</sup>   | 9 <sup>5/16"</sup>  | 18 <sup>11/16"</sup> |
| TT Silent M 150 | 5 <sup>13/16"</sup> | 9 <sup>3/4"</sup>   | 10 <sup>13/16"</sup> | 10 <sup>1/4"</sup>  | 22 <sup>13/16"</sup> |
| TT Silent M 200 | 7 <sup>13/16"</sup> | 11 <sup>9/16"</sup> | 15 <sup>3/16"</sup>  | 11 <sup>5/8"</sup>  | 20 <sup>7/16"</sup>  |
| TT Silent M 250 | 9 <sup>3/4"</sup>   | 14 <sup>1/8"</sup>  | 17 <sup>1/2"</sup>   | 14 <sup>3/16"</sup> | 25 <sup>3/16"</sup>  |
| TT Silent M 315 | 12 <sup>5/16"</sup> | 17                  | 20 <sup>1/2"</sup>   | 17 <sup>1/16"</sup> | 31 <sup>7/8"</sup>   |

TT Silent M 100  
TT Silent M 125  
TT Silent M 150



TT Silent M 200  
TT Silent M 250  
TT Silent M 315



**PERFORMANCE**

| Model           | Speed | RPM* | Sones | Duct Dia | Watts* | Amps* | CFM vs. Static Pressure (Ps) in WG |      |      |      |      |      |      |      |      |      | Volts/Hz |        |
|-----------------|-------|------|-------|----------|--------|-------|------------------------------------|------|------|------|------|------|------|------|------|------|----------|--------|
|                 |       |      |       |          |        |       | 0"                                 | 0.1" | 0.2" | 0.3" | 0.4" | 0.5" | 0.6" | 0.7" | 0.8" | 0.9" |          | 1.0"   |
| TT Silent M 100 | high  | 2363 | 1.2   | 4"       | 28     | 0.24  | 128                                | 113  | 97   | 76   | 56   | 32   | 10   | -    | -    | -    | -        | 120/60 |
|                 | low   | 2065 | 0.3   |          | 22     | 0.2   | 99                                 | 81   | 62   | 40   | 12   | -    | -    | -    | -    | -    | -        | -      |
| TT Silent M 125 | high  | 2303 | 0.9   | 5"       | 35     | 0.3   | 188                                | 174  | 158  | 130  | 94   | 60   | 30   | 0    | -    | -    | -        | 120/60 |
|                 | low   | 1990 | 0.4   |          | 23     | 0.22  | 116                                | 90   | 68   | 38   | 0    | -    | -    | -    | -    | -    | -        | -      |
| TT Silent M 150 | high  | 2570 | 2.0   | 6"       | 67     | 0.55  | 327                                | 314  | 299  | 284  | 266  | 245  | 224  | 190  | 140  | 89   | 48       | 120/60 |
|                 | low   | 1847 | 0.7   |          | 53     | 0.45  | 240                                | 220  | 192  | 171  | 135  | 111  | 86   | 56   | 28   | 5    | -        | -      |
| TT Silent M 200 | high  | 2303 | 2.0   | 8"       | 111    | 0.93  | 473                                | 455  | 432  | 405  | 379  | 352  | 313  | 274  | 221  | 155  | 89       | 120/60 |
|                 | low   | 1990 | 0.7   |          | 70     | 0.58  | 349                                | 323  | 294  | 249  | 203  | 158  | 108  | 57   | 26   | 13   | 0        | 0      |
| TT Silent M 250 | high  | 2570 | 4.0   | 10"      | 200    | 1.68  | 880                                | 874  | 866  | 858  | 850  | 842  | 832  | 821  | 794  | 751  | 708      | 120/60 |
|                 | low   | 1847 | 2.0   |          | 130    | 1.11  | 655                                | 648  | 630  | 608  | 587  | 565  | 531  | 497  | 450  | 390  | 330      | 0      |
| TT Silent M 315 | high  | 2570 | 3.5   | 12 3/8"  | 353    | 2.95  | 1050                               | 1026 | 999  | 971  | 942  | 914  | 884  | 853  | 823  | 794  | 764      | 120/60 |
|                 | low   | 1847 | 2.0   |          | 236    | 1.95  | 830                                | 804  | 770  | 726  | 682  | 638  | 581  | 524  | 464  | 399  | 335      | 0      |

| MODEL | QUANTITY | COMMENTS | PROJECT       |
|-------|----------|----------|---------------|
|       |          |          | location:     |
|       |          |          | architect:    |
|       |          |          | engineer:     |
|       |          |          | contractor:   |
|       |          |          | submitted by: |