

TURBO TUBE SILENT

INLINE MIXED FLOW FANS



**Standard Speed
Switch Get two
fans
in One!**

**ENERGY
EFFICIENT FANS**

**SOLUTION FOR RESIDENTIAL AND
COMMERCIAL VENTILATION**



Tel: 888-640-0925
Fax: 513-268-4597

Sales@ventsus.com
VentsUS.com
400 Murray Rd,
Cincinnati, OH 45217

HVI [®] **HVI**
MEMBER™ CERTIFIED

ETL
C LISTED US
Intertek

HARDI



TT SILENT – NEW GENERATION OF ENERGY EFFICIENT FANS



SOLUTION FOR:

- BATHROOMS
 - KITCHENS
 - APARTMENTS
 - OFFICES
 - LIBRARIES
 - EDUCATION FACILITIES
 - GALLERIES
- AND MORE

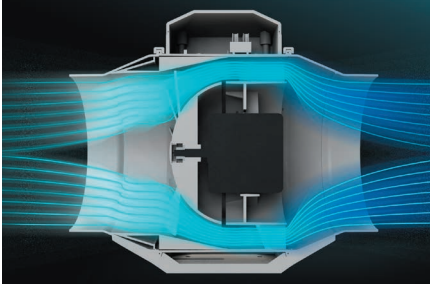
Following the latest worldwide ventilation trends we developed a **NEW INLINE MIXED FLOW FAN – TURBO TUBE SILENT** series – with **Low Noise** and **Excellent Aerodynamics**.

TURBO TUBE SILENT fans provide excellent airflow even in high pressure systems. The specifically designed and optimized case and the new aerodynamic mixed flow impeller ensure the highest performance.

TURBO TUBE SILENT IS A NEW FAN!

BENEFITS

- QUIET OPERATION: **0.6 – 2.5 Sones**
- HIGH PERFORMANCE: **up to 317 CFM**
- ENERGY EFFICIENT: **22 – 64 W**
- DUCT COMPATIBILITY: **Ø 4", 5", 6"**
- COMPATIBLE WITH HIGH PRESSURE SYSTEM
- DOUBLE-SPEED CAPACITOR MOTOR WITH THERMAL OVERLOAD PROTECTION
- LONG-LIFE BALL BEARING (up to 40 000 hours)
- BUILT-IN 2-SPEED CONTROL & POWER CORD INCLUDED
- ROTARY AND REMOVABLE CENTRAL BODY FOR EASY INSTALLATION & MAINTENANCE
- COMPACT SIZE FOR LIMITED SPACES
- LIGHTWEIGHT, DURABLE AND UV RESISTANT PLASTIC CASE (FLAME RATING – 5VA)
- VIBRATION FREE OPERATION
- CORROSION FREE

INNOVATIVE DESIGN
AERODYNAMIC CASE


The diffuser, impeller and guide vanes provide a smooth laminar (non-turbulent) airflow that minimizes noise and generates excellent airflow in high pressure systems.

NEWLY DESIGNED IMPELLER


The hemispheric shaped impeller with specially profiled blades are designed to ensure super silent operation.

EASY TO INSTALL & CLEAN


The Removable Body, including motor, impeller and junction box, is the Ultimate Solution for Easy Installation & cleaning.

EASY CONNECTION


The **Removable Body** with the junction box can be **rotated 180°** to **Facilitate Mounting and Wiring**.

BUILT-IN SPEED CONTROL


The **Double-speed Motor** is controlled with a **Built-in Speed Switch**.

INTEGRATED MOUNTING BRACKET


The fan case is **Equipped with a Mounting Plate** to attach the fan to the wall or ceiling.

EASY INSTALLATION


Fix the fan mounting plate on the flat surface.



Install the removable body inside the fan case.



Lock the removable body by clamps with latches.



Secure latches by screws.



Attach the ducts with clamps.



Insert the plug into electrical socket - the fan is **READY TO GO!**



Select a required speed by built-in speed switch. **ENJOY the FRESH AIR.**

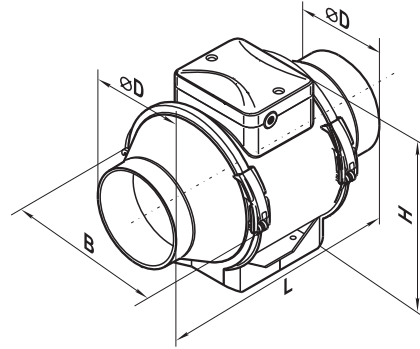


Forget about dismantling! Just remove the central body from the case and complete the servicing!

Turbo Tube Silent product sheet

DIMENSIONS

Model	Measurements [in.]				lbs
	ØD	B	H	L	
TT Silent 100	3 13/16"	7 11/16"	8 15/16"	11 15/16"	3.39
TT Silent 125	4 13/16"	7 11/16"	8 15/16"	10 3/16"	3.33
TT Silent 150	5 13/16"	8 11/16"	9 3/4"	11 3/8"	4.58



PERFORMANCE

Vents	Duct dia	Energy Star compliance	Speed	RPM*	Sones	Watts*	Amps*	CFM vs. Static Pressure (Ps) in WG										Max Ps. in WG	Volts	
								0	0.1	0.2	0.3	0.4	0.5	0.6	0.7	0.8	0.9			1
TT Silent 100	4"	no	high	2363	1.5	28	0.23	134	119	100**	78	58**	36	18	9	-	-	-	0.78	120 V/60 Hz
			low	2065	0.9	22	0.2	97	79	60**	39	20**	8	-	-	-	-	-	0.61	
TT Silent 125	5"	no	high	2303	1.3	36	0.29	199	181	160**	137	94**	62	33	0	-	-	-	0.7	120 V/60 Hz
			low	1990	0.6	23	0.2	117	95	70**	44	11**	-	-	-	-	-	-	0.48	
TT Silent 150	6"	no	high	2570	2.5	67	0.56	317	305	290**	274	257**	237	218	189	130	81	48	1.22	120 V/60 Hz
			low	1847	1.1	53	0.46	237	217	190**	169	132**	108	81	51	26	0	-	0.93	

* The parameters RPM, Watts, Amps are indicated at 0.2 in WG static pressure.
 ** HVI rated

SPECIFICATIONS

Voltage: 120 V / 60 Hz
 Motor: single-phase asynchronous two speed motor
 Duct compatibility: Ø 4", 5", 6"
 Airflow capacity: up to 317 CFM
 Sones: 0.6 – 2.5

Power consumption: 22 – 67 W
 Suitable for working airstreams up to 140 °F
 IPX4 protection
 Thermal overload protection
 Power cord included