



DESCRIPTION

Turbo Tube Silent fans provide ultra quiet operation & excellent airflow even in high pressure systems. The specifically designed and optimized case and the new aerodynamic mixed flow impeller ensure the highest performance.

Turbo Tube Silent fans are compatible with 4", 5", 6" diameter ducts.

CASING

The fan's casing is made of high quality, UV resistant plastic (UL94 certified plastic). It is equipped with a mounting plate to attach the fan to the wall or ceiling.

MOTOR

Motors are supplied with automatic reset thermal protection and are equipped with ball bearings for longer service life (40,000 hrs). Suitable for air stream temperature up to 140 °F.

CONTROL

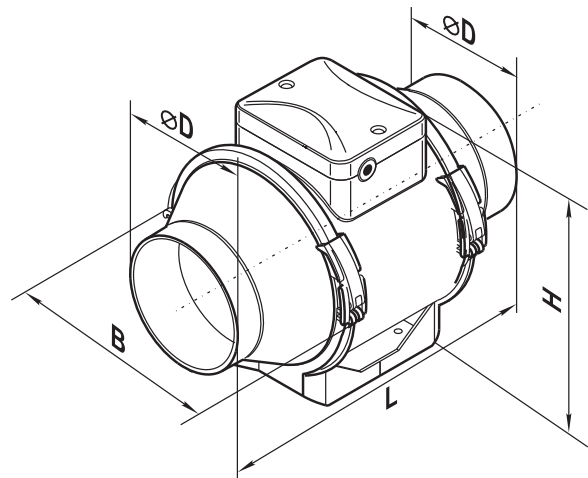
The double-speed motor is controlled with a built-in speed switch.

SUITABLE FOR:

Bathroom / kitchen / apartments / cottages / small offices / libraries / education facilities.

DIMENSIONS

Model	Measurements [in.]				lbs
	ØD	B	H	L	
TT Silent 100	3 13/16"	7 11/16"	8 15/16"	11 15/16"	3.39
TT Silent 125	4 13/16"	7 11/16"	8 15/16"	10 3/16"	3.33
TT Silent 150	5 13/16"	8 11/16"	9 3/4"	11 3/8"	4.58



PERFORMANCE

Vents	Duct dia	Energy Star compliance	Speed	RPM*	Sones	Watts*	Amps*	CFM vs. Static Pressure (Ps) in WG										Max Ps. in WG	Volts	
								0	0.1	0.2	0.3	0.4	0.5	0.6	0.7	0.8	0.9			1
TT Silent 100	4"	no	high	2363	1.5	28	0.23	134	119	100**	78	58**	36	18	9	-	-	-	0.78	120 V/60 Hz
			low	2065	0.9	22	0.2	97	79	60**	39	20**	8	-	-	-	-	-	0.61	
TT Silent 125	5"	no	high	2303	1.3	36	0.29	199	181	160**	137	94**	62	33	0	-	-	-	0.7	120 V/60 Hz
			low	1990	0.6	23	0.2	117	95	70**	44	11**	-	-	-	-	-	-	0.48	
TT Silent 150	6"	no	high	2570	2.5	67	0.56	317	305	290**	274	257**	237	218	189	130	81	48	1.22	120 V/60 Hz
			low	1847	1.1	53	0.46	237	217	190**	169	132**	108	81	51	26	0	-	0.93	

* The parameters RPM, Watts, Amps are indicated at 0.2 in WG static pressure.

** HVI rated

MODEL	QUANTITY	COMMENTS	PROJECT
			location:
			architect:
			engineer:
			contractor:
			submitted by:

Tel: 888-640-0925
Fax: 513-268-4597

Sales@ventsus.com
VentsUS.com
400 Murray Rd,
Cincinnati, OH 45217



HARDI

2023-07