

TURBO TUBE

INLINE MIXED FLOW FANS

**Standard
Speed Switch
Get two fans
in One!**

POWERFUL MIXED FLOW FANS

**SOLUTION FOR RESIDENTIAL
AND COMMERCIAL VENTILATION**



Tel: 888-640-0925
Fax: 513-268-4597

Sales@ventsus.com
VentsUS.com
400 Murray Rd,
Cincinnati, OH 45217

HVI MEMBER[®] **HVI** CERTIFIED[®] 2100

 **ETL** LISTED[®] US
Intertek

HARDI



TT SERIES INLINE MIXED FLOW FANS



SOLUTION FOR:

- BATHROOMS
- KITCHENS
- APARTMENTS
- RESTAURANTS
- POOLS
- OFFICES
- MANUFACTURING FACILITIES AND MORE

TURBO TUBE series fans are ideal solutions for multi-purpose use in residential and commercial ventilation.

TURBO TUBE fans combine the features and benefits of both axial and centrifugal fans.

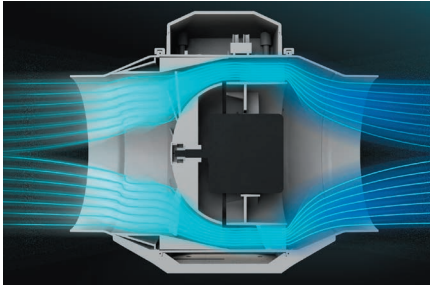
Used for both supply and exhaust applications that require powerful airflow.

TURBO TUBE fans were engineered to be compact without any loss in performance and are the perfect solution for installation into limited spaces.

ENERGY EFFICIENT TURBO TUBE FANS

BENEFITS

- QUIET OPERATION: **1.1 – 4.5 Sones**
- HIGH PERFORMANCE: **up to 1069 CFM**
- ENERGY EFFICIENT: **24 – 343 W**
- DUCT COMPATIBILITY: **Ø 4", 5", 6", 8", 10", 12 3/8"**
- DOUBLE-SPEED CAPACITOR MOTOR WITH THERMAL OVERLOAD PROTECTION
- BUILT-IN 2-SPEED SWITCH & POWER CORD INCLUDED
- LONG-LIFE BALL BEARING (up to 40 000 hours)
- ROTARY AND REMOVABLE CENTRAL BODY FOR EASY INSTALLATION & MAINTENANCE
- COMPACT SIZE FOR LIMITED SPACES
- LIGHTWEIGHT, DURABLE AND UV RESISTANT PLASTIC CASE (FLAME RATING – 5VA)
- VIBRATION FREE OPERATION
- CORROSION FREE

INNOVATIVE DESIGN
AERODYNAMIC CASE


The motor and improved case shape provide high aerodynamic characteristics.

NEWLY DESIGNED IMPELLER


A specifically designed impeller provides smooth movement and powerful airflow.

EASY TO INSTALL & CLEAN


The Removable Body, including motor, impeller and junction box, is the Ultimate Solution for Easy Installation & cleaning.

EASY CONNECTION


The **Removable Body** with the junction box can be **rotated 180°** to **Facilitate Mounting and Wiring**.

BUILT-IN SPEED CONTROL


The **Double-speed Motor** is controlled with a **Built-in Speed Switch**.

INTEGRATED MOUNTING BRACKET


The fan case is **Equipped with a Mounting Plate** to attach the fan to the wall or ceiling.

EASY INSTALLATION


Fix the fan mounting plate on the flat surface.



Install the removable body inside the fan case.



Lock the removable body by clamps with latches.



Secure latches by screws.



Attach the ducts with clamps.



Insert the plug into electrical socket - the fan is **READY to GO!**



Select a required speed by the built-in speed switch. **ENJOY the FRESH AIR.**

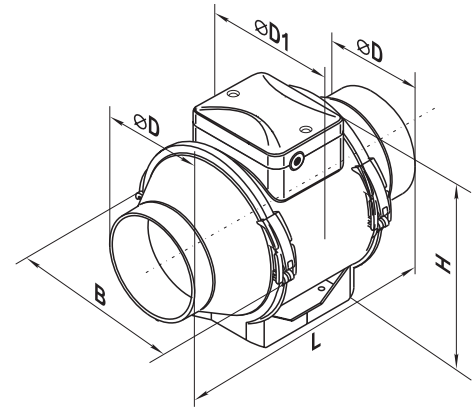


Forget about dismantling or disassembling! Just remove the central body from the case and complete the servicing!

Turbo Tube product sheet

DIMENSIONS

| Model | Measurements [in.] | | | | | lbs |
|--------|--------------------|--------|---------|--------|----------|-----|
| | ØD | ØD1 | B | H | L | |
| TT 100 | 3 3/4" | 5 1/2" | 6 9/16" | 7 1/2" | 9 11/16" | 3.7 |



PERFORMANCE

| Model | Duct dia | Speed | Sones | RPM* | Watts* | Amps* | CFM vs. Static Pressure (Ps) in WG | | | | | | | | | | | Max Ps. in WG | Volts | |
|--------|----------|-------|-------|------|--------|-------|------------------------------------|-----|-------|-----|-----|-----|-----|-----|-----|-----|---|---------------|-------|---------------|
| | | | | | | | 0 | 0.1 | 0.2 | 0.3 | 0.4 | 0.5 | 0.6 | 0.7 | 0.8 | 0.9 | 1 | | | |
| TT 100 | 4" | high | 2.5 | 2584 | 38 | 0.45 | 134 | 120 | 100** | 55 | 33 | 20 | 4 | - | - | - | - | - | 0.63 | 120 V / 60 Hz |
| | | low | 1.1 | 2527 | 25 | 0.29 | 86 | 68 | 50** | 28 | 8 | 0 | - | - | - | - | - | - | 0.52 | |

* The parameters RPM, Watts, Amps are indicated at 0.2 in WG static pressure.
 ** HVI rated

SPECIFICATIONS

Voltage: 120 V, 60 Hz

Motor: Single-phase asynchronous motor

Duct compatibility: Ø4", 5", 6", 8", 10", 12 3/8"

Airflow capacity: up to 1069 CFM

Sones: 1.1 – 4.5

Power consumption: 24 – 343 W

Suitable for working airstreams up to 140 °F

IPX4 protection

Thermal overload protection

Power cord included

Built in low/high speed switch