


**DESCRIPTION**

VENTS VK inline fans assure efficient and reliable operation. The VENTS VK fans are specially designed for simple installation and years of maintenance free operation. The VENTS VK fans are supplied with an easy to fit mounting bracket and can be mounted at any angle and at any point along the duct. Suitable for wide range diameter sizes (from 4" to 12").

**DESIGN**

The fans' casing is made of high quality, UV-resistant plastic (UL94 certified plastic).

**MOTOR**

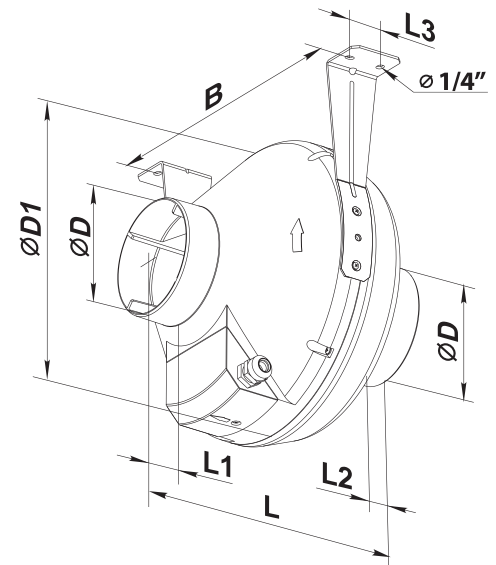
The fan is fitted with backward curved centrifugal impeller driven by powerful sealed external rotor motor with lifelong bearings and thermal protection.

**SUITABLE FOR**

The fans are suitable for a wide range of residential and commercial exhaust or supply air applications, such as bathrooms, kitchens, restaurants or equipment cooling.

**DIMENSIONS**

Model	Measurements [in.]							lbs
	ØD	ØD1	B	L	L1	L2	L3	
VK 315	12 3/8"	15 3/4"	16 5/16"	16 5/16"	1 9/16"	2 3/16"	1 9/16"	11.2



**PERFORMANCE**

Model	Duct dia	Energy Star compliance	Sones	RPM*	Watts*	Amps*	CFM*	CFM vs. Static Pressure (Ps) in WG											Max Ps. in WG	Volts
								0"	0.1"	0.2"	0.3"	0.4"	0.5"	0.6"	0.7"	0.8"	0.9"	1.0"		
<b>VK 315</b>	12"	no	4.1	2641	269	2.25	770**	871	825	770**	736	683**	645	569**	515	476	430	388**	2.8	120

\* The parameters Volts, Watts, Amps are indicated at 0.2 in WG static pressure

\*\* HVI rated

MODEL	QUANTITY	COMMENTS	PROJECT
			location:
			architect:
			engineer:
			contractor:
			submitted by:

Tel: 888-640-0925  
Fax: 513-268-4597

Sales@ventsus.com  
VentsUS.com  
400 Murray Rd,  
Cincinnati, OH 45217