



DESCRIPTION

VENTS AntiRADON fans are specially designed with high pressure capabilities for Radon Mitigation.

Compatible with \varnothing 4", 5", 6", 8", 10" and 12^{3/8"} round air ducts.

The fans may be mounted to the walls with mounting brackets included with every fan. Power Cord & Mounting Brackets are included for Easy Installation.

CASING

Factory Sealed case, No Leakages, UV Resistant durable ABS plastic (UL94 certified plastic).

MOTOR

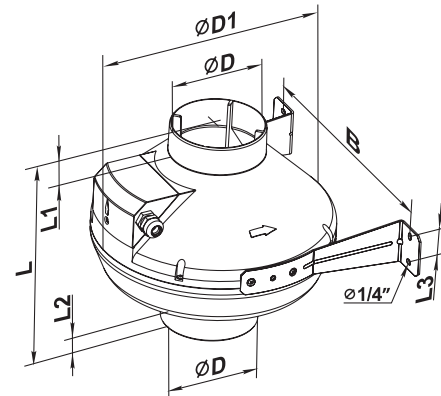
German Made High-Efficiency external rotor motor with a Dynamic Balanced Impeller for Long Lasting & Vibration Free operation.

Ball Bearings motor ensures Low-Noise and Maintenance-Free operation.

High efficiency backward inclined impeller delivers exceptional airflow and high static pressure.

DIMENSIONS

Model	Measurements [in.]							lbs
	\varnothing D	\varnothing D1	B	L	L1	L2	L3	
VK-AntiRADON 100	3 15/16"	9 13/16"	10 5/8"	9 1/16"	1 3/16"	1 1/16"	1 3/16"	4.7
VK-AntiRADON 125	4 15/16"	9 13/16"	10 5/8"	8 11/16"	1 3/16"	1 1/16"	1 3/16"	4.9
VK-AntiRADON 150	5 7/8"	11 13/16"	12 3/16"	11 1/4"	1 3/16"	1 3/16"	1 3/16"	5.7
VK-AntiRADON 200	7 7/8"	13 3/8"	13 15/16"	10 7/8"	1 3/16"	1 3/16"	1 9/16"	8.8
VK-AntiRADON 250	9 13/16"	13 3/8"	13 15/16"	10 7/16"	1 3/16"	1 3/16"	1 9/16"	9.9
VK-AntiRADON 315	12 3/8"	15 3/4"	16 5/16"	16 5/16"	1 9/16"	2 3/16"	1 9/16"	11.2



PERFORMANCE

Model	Duct dia	Energy Star compliance	RPM*	Sones	Watts*	Amps*	CFM vs. Static Pressure (Ps) in WG										Max Ps. in WG	Volt / Hz	
							0	0.1	0.2	0.3	0.4	0.5	0.6	0.7	0.8	0.9			1
VK-AntiRADON 100	4"	no	2980	2.3	109	0.94	183	175	170	164	154	147	138	130	122	115	106	2.2	120 / 60
VK-AntiRADON 150	6"	no	2785	2.7	93	0.77	321	307	290	272	255	237	222	206	193	175	159	18	120 / 60
VK-AntiRADON 200	8"	no	2781	3.5	149	1.25	562	536	520	501	472	451	424	397	372	347	329	2.5	120 / 60
VK-AntiRADON 250	10"	no	2523	4.3	266	2.25	683	653	620	588	551	518	487	453	423	394	368	3.1	120 / 60
VK-AntiRADON 315	12"	no	2641	4.1	269	2.25	871	825	770	736	683	645	569	515	476	430	388	2.8	120 / 60

* The parameters RPM, Watts, Amps are stated in 0.2 in WG static pressure.

MODEL	QUANTITY	COMMENTS	PROJECT
			location:
			architect:
			engineer:
			contractor:
			submitted by:

Tel: 888-640-0925 Sales@ventsus.com
 Fax: 513-268-4597 VentsUS.com
 400 Murray Rd,
 Cincinnati, OH 45217


HARDI