

Installation Guide

INLINE CENTRIFUGAL FAN

VK 100
VK 125
VK 150
VK 200
VK 250
VK 315



Tools required



Pencil



Drill
Ø 6 mm



Screwdriver



Dowel 4 pcs
NTW 6/35



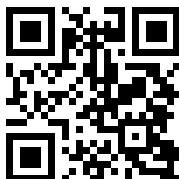
Screws 4 pcs
4/35

VK: basic model.

U: modification with a speed controller and electronic thermostat, integrated temperature sensor and power cable with a plug.

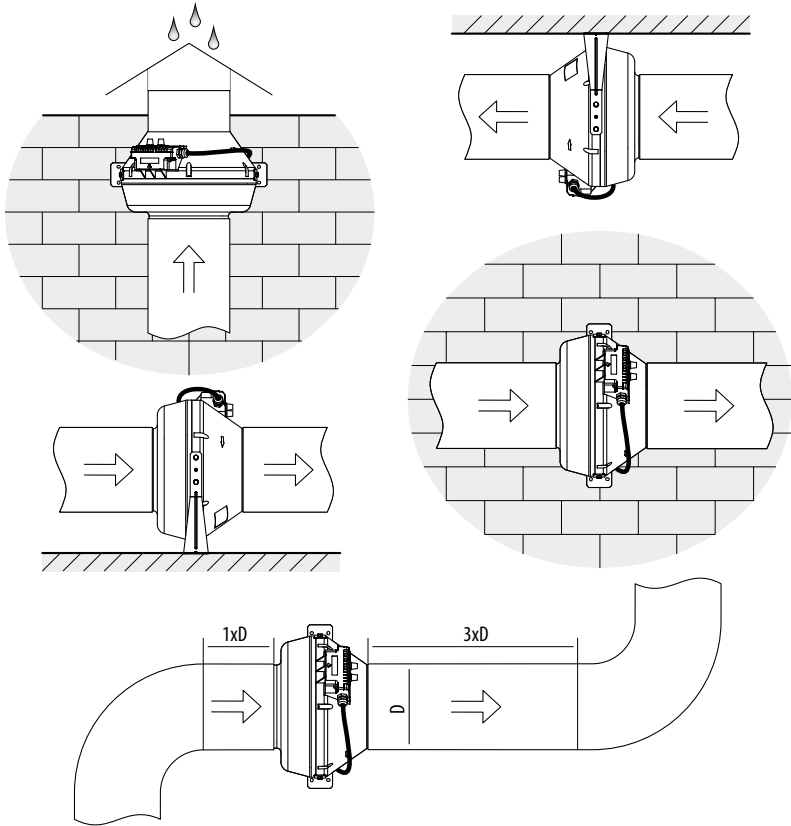
P: modification with a speed controller and power cable with a plug.

Radon: modification with a sealed casing.



TYPICAL FAN INSTALLATION

- The fans are designed for duct mounting in any point of the ventilation system with the casing mounted at any angle.
- In case of vertical mounting a protective outer hood must be installed on the top.
- Fixation to the floor wall or ceiling is performed with the supplied mounting brackets.



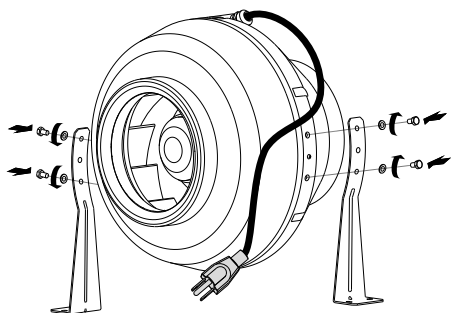
To attain the best performance of the ventilation system and to minimize turbulence-induced air pressure losses while mounting connect a straight air duct section on both sides of the unit. Minimum straight air duct length:

- equal to 1 air duct diameter on intake side;
- equal to 3 air duct diameters on outlet side.

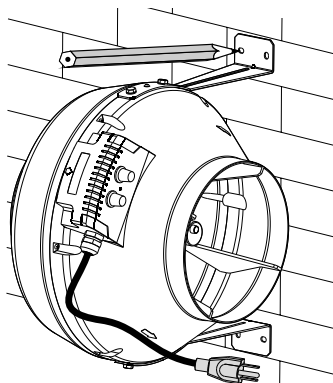


FAN INSTALLATION

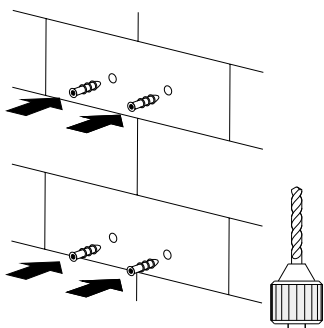
1. Присоедините кронштейны к корпусу



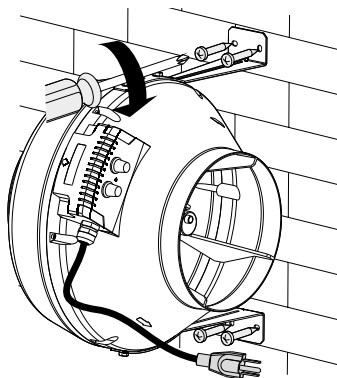
2. Mark fastening holes



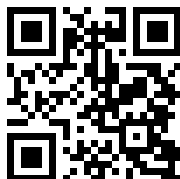
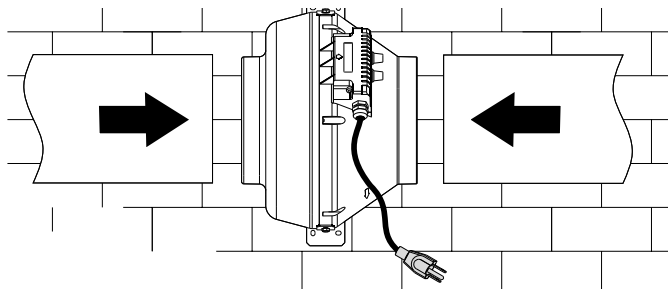
3. Drill fastening holes



4. Fix the fan



5. Connect air ducts

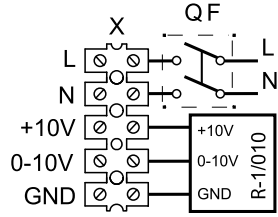
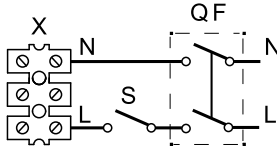
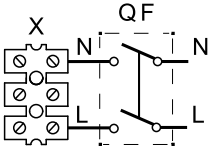


FAN CONNECTION

VK 100/125/150/200/250/315

VK

VK EC



VK 100/125/150/200/250/315

U / P / Radon

