



DESCRIPTION

The VENTS VK PS Series dryer booster fan has been specially designed to solve dryer vent problems where more airflow is needed.

The VENTS VK PS dryer booster fans assure efficient and reliable operation. The pre-installed pressure switch allows the VK PS fan to run only when it senses that the dryer is on. The controller cycles the fan until the dryer has stopped. The fans are fitted with backward curved centrifugal impeller, which allows lint not to get stuck in the fan. The VENTS VK PS fans are driven by powerful sealed external rotor motor with lifelong bearings and thermal protection.

CASING

The fans' casing is made of high quality, UV-resistant plastic (UL94 certified plastic).

MOTOR

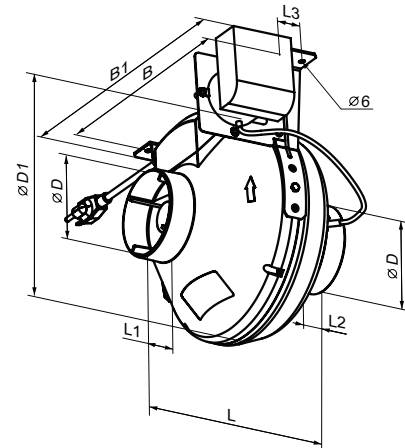
The VENTS VK PS fans are driven by powerful sealed external rotor motor with lifelong bearings and thermal protection. This powerful combination enables the VENTS VK PS fans to deliver exceptional airflow performances even in long duct runs.

SUITABLE FOR:

VK PS Series fans are designed to solve dryer vent problems where more airflow is needed.

DIMENSIONS

| Model | Measurements [in.] | | | | | | | | | lbs |
|-----------|--------------------|-----------|----------|---------|-----------|---------|---------|---------|-----|-----|
| | ØD | ØD1 | B | B1 | L | L1 | L2 | L3 | | |
| VK PS 100 | 3 15/16" | Ø 13/16" | 10 5/8" | 13 3/8" | Ø 1 1/16" | 1 3/16" | 1 1/16" | 1 3/16" | 4.7 | |
| VK PS 125 | 4 15/16" | Ø 13/16" | 10 5/8" | 13 3/8" | 8 11/16" | 1 3/16" | 1 1/16" | 1 3/16" | 4.9 | |
| VK PS 150 | 5 7/8" | 11 13/16" | 12 3/16" | 13 3/8" | 11 1/4" | 1 3/16" | 1 3/16" | 1 3/16" | 5.7 | |



PERFORMANCE

| Model | Duct dia | Sones | RPM* | Watts* | CFM vs. Static Pressure (Ps) in WG | | | | | | | | | | Volt / Hz |
|------------------|----------|-------|------|--------|------------------------------------|--------|------|-------|--------|------|-------|------|-------|------|-----------|
| | | | | | 0" | 0.125" | 0.2" | 0.25" | 0.375" | 0.5" | 0.75" | 1.0" | 1.25" | 1.5" | |
| VK PS 100 | 4" | 2.3 | 2980 | 109 | 162 | 155 | 150 | 147 | 141 | 134 | 120 | 104 | 87 | 67 | 120 / 60 |
| VK PS 125 | 5" | 7.1 | 2960 | 114 | 235 | 222 | 214 | 207 | 193 | 178 | 151 | 123 | 99 | 72 | 120 / 60 |
| VK PS 150 | 6" | 2.7 | 2785 | 93 | 317 | 300 | 289 | 282 | 265 | 247 | 212 | 178 | 132 | 68 | 120 / 60 |

* The parameters RPM, Watts are indicated at 0.2 in WG static pressure.

| MODEL | QUANTITY | COMMENTS | PROJECT |
|-------|----------|----------|---------------|
| | | | location: |
| | | | architect: |
| | | | engineer: |
| | | | contractor: |
| | | | submitted by: |

Tel: 888-640-0925 Sales@vents-us.com
 Fax: 513-583-5786 Vents-US.com
 400 Murray Rd,
 Cincinnati, OH 45217


HARDI
HVI MEMBER™