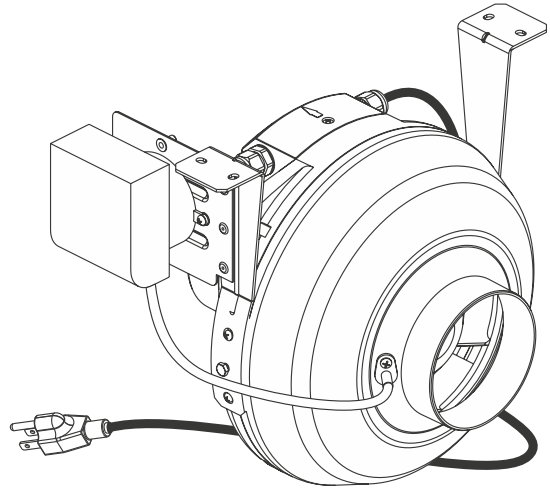
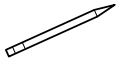


INLINE CENTRIFUGAL FAN

**VK PS 100
VK PS 125
VK PS 150**



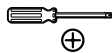
Tools required



Pencil



Drill Ø 6 mm



Screwdriver



Dowel 4 pcs NTW 6/35

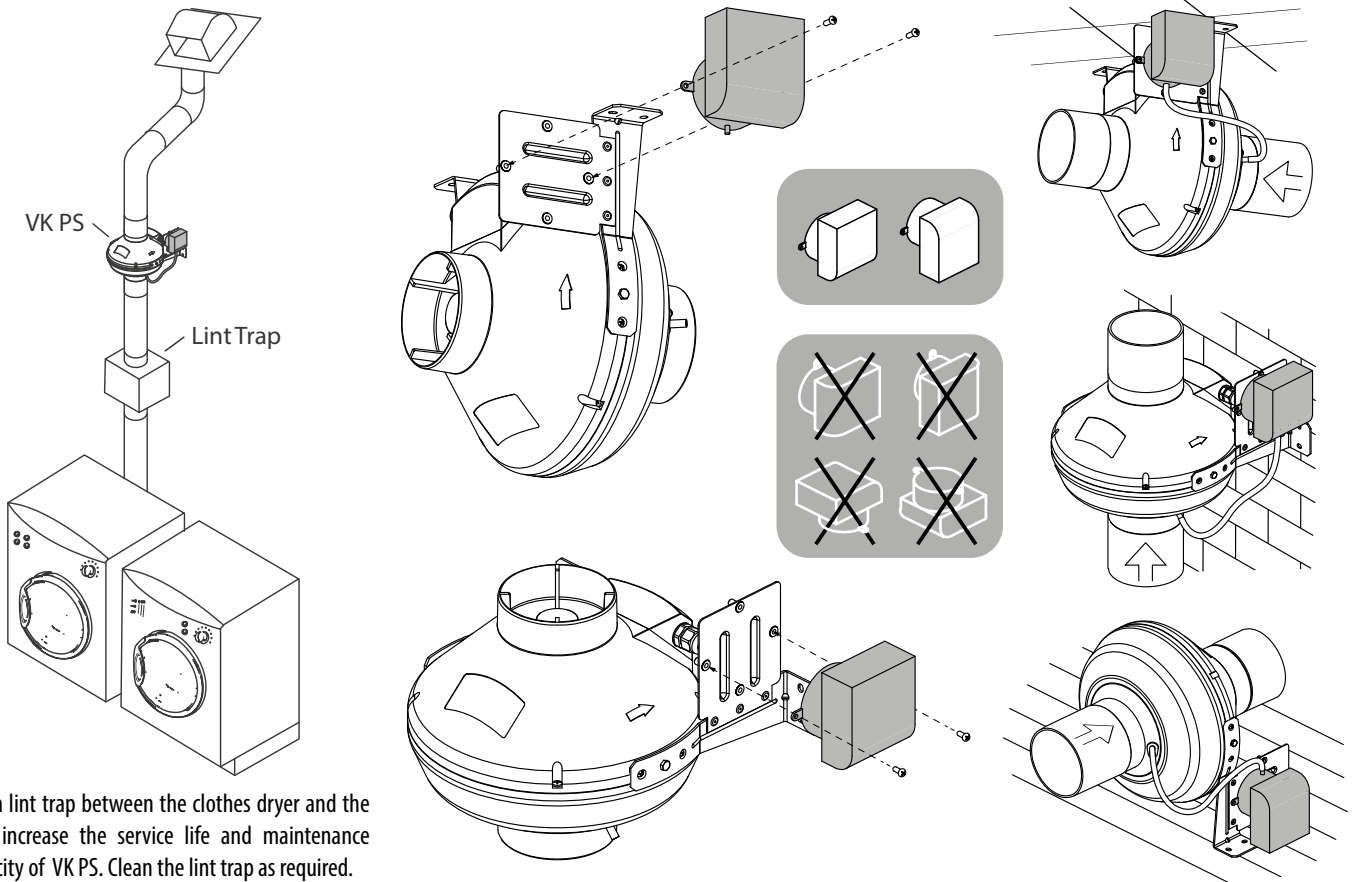


Screws 4 pcs 4/35

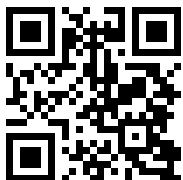
MOUNTING

Installation of the fan with direct air discharge to outside requires a device that prevents air backdraft: backdraft damper, a grille with shutters or a ventilation hood. Otherwise the fan may be spontaneously turned on by the pressure created by blown in wind from outside.

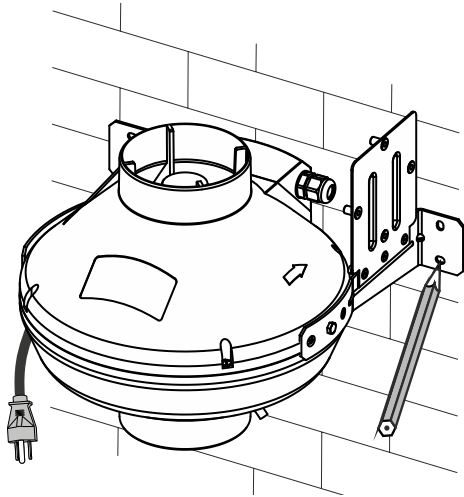
Typical Fan installation



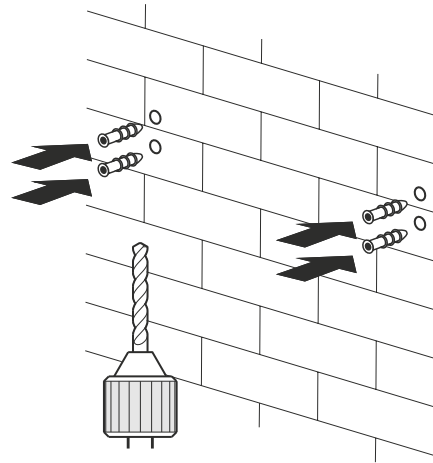
Install a lint trap between the clothes dryer and the fan to increase the service life and maintenance periodicity of VK PS. Clean the lint trap as required.



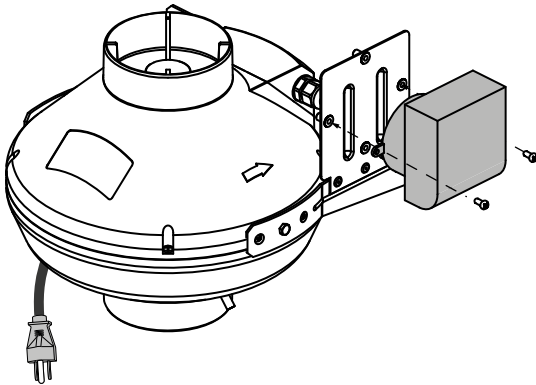
1. Mark fastening holes



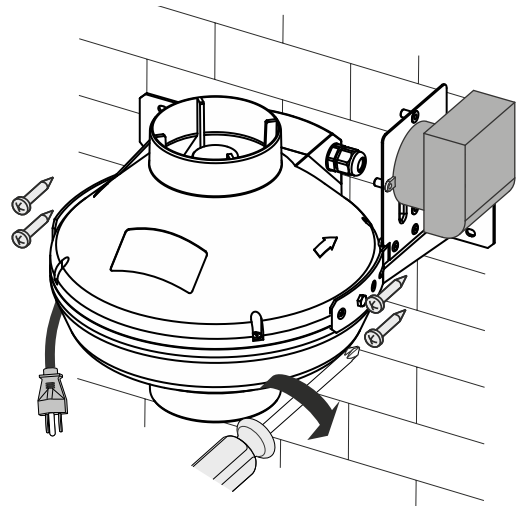
2. Drill fastening holes



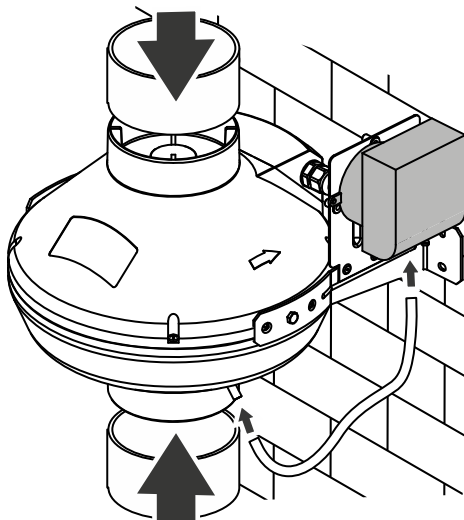
3. Install the sensor



4. Fix the fan to the mounting surface with screws



5. Connect air ducts and silicone tube



6. Connection of the fan

