

INSTALLATION GUIDE

INDUSTRIAL ELECTRIC AXIAL FANS

VKM AR 100
 VKM AR 125
 VKM AR 150
 VKM AR 200
 VKM AR 250
 VKM AR 305



Tools required



Pencil



Drill



Screwdriver



Dowel



Screws

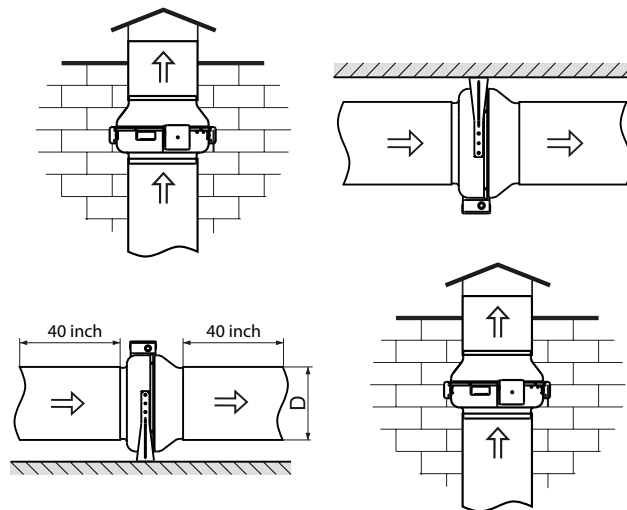
MOUNTING

The fans are designed for vertical or horizontal mounting.

Air motion in the system must be in compliance with the direction of the arrow on the fan casing.

Install a hood on the intake spigot side in case of the vertical fan installation.

Provide a straight air duct section at least 8 inch long on the intake spigot side in case of horizontal fan installation with maximum allowable humidity.



INSTALLATION OF THE FAN WITH BUILT-IN BOX

Disconnect the fan from power mains prior to any installation works.

Remove the bolts on both sides of the casing, install the fixing brackets and tighten the bolts.

Align the holes in the fixing brackets and the holes in the casing.

Drill the holes in the wall or in the ceiling for the dowels and fix the fan with the screws. Connect the air ducts of respective diameter to the fan.

