

## INSTALLATION GUIDE

### INDUSTRIAL ELECTRIC AXIAL FANS

VKM 100/125/150/200/250/305

VKMS 200/305

VKM AR (Antiradon)100/125/150/200/250/305



#### Tools required



Pencil



Drill (Ø 8 mm)



Screwdriver



Dowel NTW 8/45 (4 pcs.)



Screws 5x45 mm (4 pcs.)

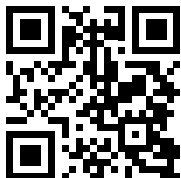
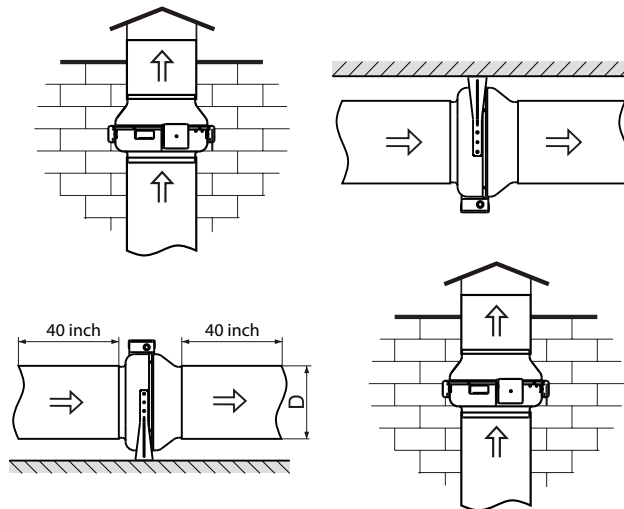
### MOUNTING

The fans are designed for vertical or horizontal mounting.

Air motion in the system must be in compliance with the direction of the arrow on the fan casing.

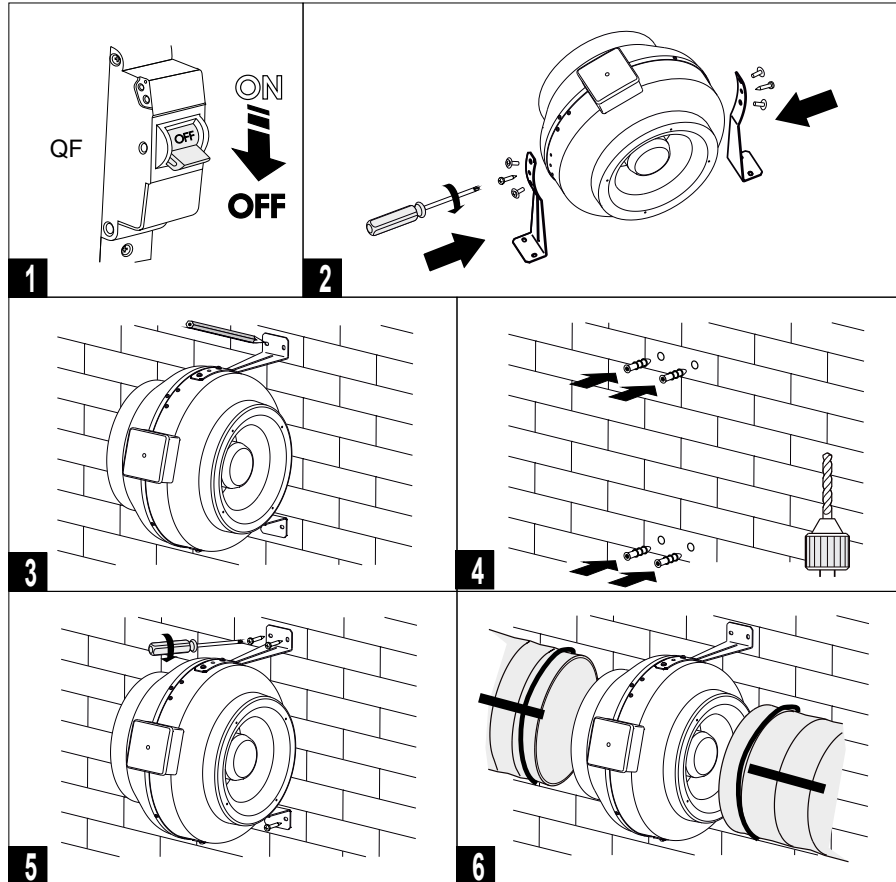
Install a hood on the intake spigot side in case of the vertical fan installation.

An air duct at least 40 inches (1 meter) long should be connected to an inlet pipe in case of horizontal fan mounting in conditions of maximum permissible humidity level. The.



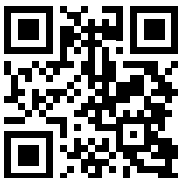
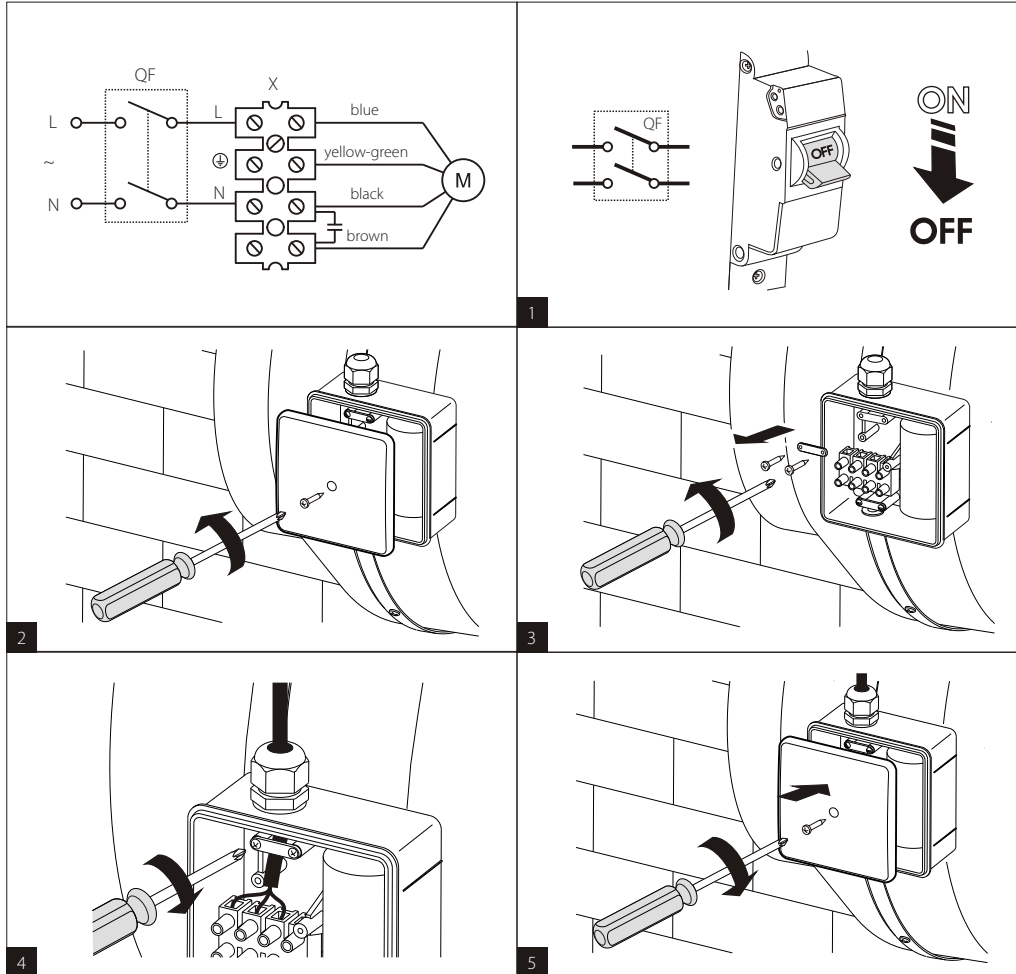
### INSTALLATION OF THE FAN WITH BUILT-IN BOX

- 1) Disconnect the fan from power supply.
- 2) Deinstall the fixing brackets.
- 3) Mark holes on the wall.
- 5) Drill the holes and insert the expansion anchors.
- 6) Fix the fan.
- 7) Connect air ducts



The fan must be connected using durable, insulated and heat-resistant cables and wires.

- 1) Disconnect the fan from power supply.
- 2) Remove the cover from the terminal block.
- 3) Remove the cable clamp.
- 4) Connect the cables according, install the cable clamp.
- 5) Install the terminal block cover



Connection of the fan and standard wall socket

