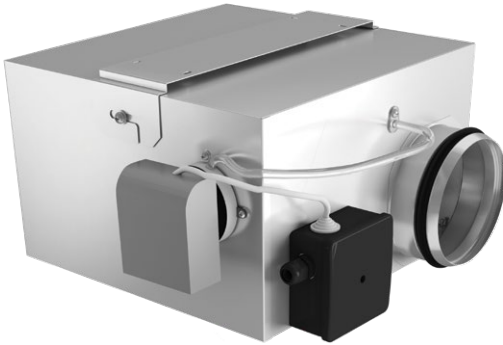


VKP PS SERIES

FOR DRYER BOOST APPLICATION



APPLICATIONS

VKP PS Series fans are designed to solve dryer vent problems where more airflow is needed. VKP PS booster fans can be used to exceed the maximum 25 ft. and allow complex duct runs. The fan should be at least 15 ft. from the dryer as close as possible where the duct terminates. Installed closer than 15 ft. from the back of the dryer, the use of VENTS DLT454 Lint Trap is recommended as the fan could pull lint into the fan body causing clogging. Lint trap should be installed in the dryer duct just above the dryer. Please refer to the installation manual for the correct angle of pressure switch. Designed to vent up to 125 ft duct work.

BENEFITS

- Installed Pressure Switch
- Ducts: 5"
- High static pressure applications
- Backward curved centrifugal impeller
- External rotor motor with thermal overload protection
- Ideal for long duct runs
- Vibration free operation
- Energy efficient
- Maintenance free
- Easy installation
- Corrosion resistant
- Galvanized steel housing
- Pre-wired and supplied with mounting bracket for easy installation
- ETL listed

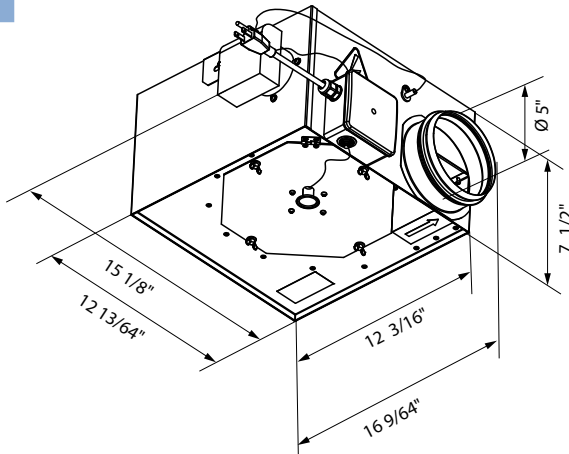
DESCRIPTION

The VENTS VKP PS Series dryer booster fan has been specially designed to solve dryer vent problems where more airflow is needed.

VKP PS dryer booster fans make dryers run more efficiently, save energy by reducing drying time, and limit lint and moisture problems. The pre-installed pressure switch runs in 10 minute repeat cycles.

Every 10 minutes the booster fan stops for 15 seconds. If the pressure still exists, another cycle begins. If the dryer stops during the cycle, the booster fan will complete the 10 minute cycle that it had started before the dryer stopped. The extra venting helps to keep the duct lint free and to clear any remaining moisture. The fans are fitted with backward curved centrifugal impeller, which prevents lint from getting stuck in the fan. Feature powerful sealed external rotor motor with lifelong bearings and thermal protection. This powerful combination enables the VENTS VKP PS fans to deliver exceptional airflow performances even in long duct runs. Housing is made of galvanized steel. Suitable for low ceilings and tight spaces. Hinges provide quick and fast access to the motor. Easy, two step, one hand installation.



DIMENSIONS

PERFORMANCE

Model	Watts*	Amps*	CFM vs. Static Pressure (Ps) in WG											Max. Ps	Volts / Hz
			0"	0.1"	0.2"	0.3"	0.4"	0.5"	0.6"	0.7"	0.8"	0.9"	1"		
VKP PS 125	66	0.54	220	214	208	202	196	190	184	178	172	160	150	2.4	120 / 60

* The parameters Amps, Watts are indicated at 0.2 in WG static pressure.

SPECIFICATION

Voltage: 120 V, 60 Hz

Motor: Single-phase external rotor motor with backward curved centrifugal impellers

Duct compatibility: Ø 5"

Airflow capacity: up to 220 CFM

Power consumption: 66 W

Suitable for working airstreams up to 149 °F

IPX4 protection

Thermal overload protection

Pressure switch, mounting bracket and power cord included