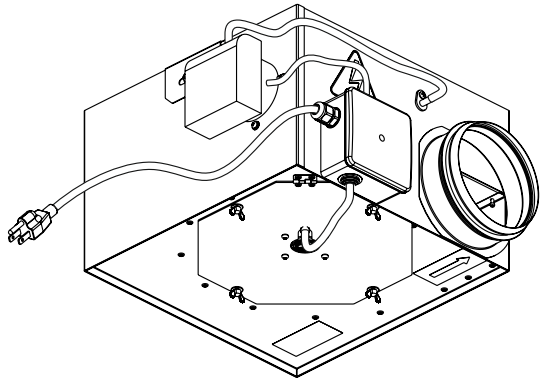


# INLINE CENTRIFUGAL FAN VENTS VKP PS 125

EN

User`s  
manual



**WARNING!**

**TO REDUCE THE RISK OF FIRE, ELECTRIC SHOCK AND PERSONAL INJURY, READ AND UNDERSTAND THE INSTRUCTIONS CAREFULLY**

1. Use the product only in the manner intended by the manufacturer. If you have questions, contact the manufacturer.
2. Before servicing or cleaning the unit, switch off the power at the main service panel and lock it to prevent the power from accidentally being turned on. If the panel cannot be locked securely, fasten a prominent warning device, such as tag, to it. If the unit is not hard-wired but rather plugged into a 120 volt outlet, simply unplug the cord from the receptacle.
3. Installation work and electrical wiring must be done by qualified person(s) in accordance with all applicable codes and standards, include fire-rated construction codes and standards.
4. When cutting or drilling into wall or ceiling, do not damage electrical wiring and other hidden utilities.
5. The fans must always be vented to the outdoors.
6. The fan may have sharp edges. Use caution to avoid being cut when installing and cleaning.
7. This fan must be grounded.

**CAUTION!**

1. For general ventilation use only. Not for use in fire rated installations. Do not use the fan to exhaust hazardous or explosive materials and vapors.
  2. For interior use only. Mount with the lowest moving parts at least 8 feet (2.5 meters) above the floor or grade level.
  3. To avoid the motor damage and noisy and/or unbalanced impeller, keep drywall spray, construction duct, etc. off power unit.
  4. Prior to installation operations make sure there is no visible damage to the impeller and housing. Also make sure there are no foreign objects that may have accidentally gotten into the fan.
  5. Please read specification label on product for further information and requirements.
  6. To be installed by qualified personnel.
  7. Connect the fan through breaker box.
  8. Both the inlet and outlet must have no obstructions for the VKP / VKPF to work properly and be covered by the warranty.
  9. When storing the fan keep it in a dry, weather-protected environment in the original packaging.
- If the fan has been stored or set in a cold environment, wait 2 hours before connecting it to the power source.

## **WARRANTY**

Production meets standard operating requirements in the USA and Canada.

VENTS US warrants to the original purchaser of the VKP and VKPF that it will be free from defects in materials or workmanship for a period of 24 months from the date of original purchase.

THERE ARE NO OTHER WARRANTIES, EXPRESS OR IMPLIED, INCLUDING, BUT NOT LIMITED TO, IMPLIED WARRANTIES OF MERCHANTABILITY OR FITNESS FOR A PARTICULAR PURPOSE. During the stated warranty period, VENTS US will, at its option, repair or replace, without charge, any product or part which is found to be defective under normal use and service. This warranty does not cover (a) normal maintenance and normal service or (b) any products or parts which have been subject to misuse, negligence, accident, improper maintenance or repair (other than by VENTS US), faulty installation or installation contrary to recommended installation instructions. Labor to remove and replace products is not covered. The duration of any implied warranty is limited to the time period specified for the express warranty. Some states do not allow limitations on how long an implied warranty lasts, so the above limitation may not apply to you.

VENTS US OBLIGATION TO REPAIR OR REPLACE, AT VENTS US OPTION, SHALL BE THE PURCHASER'S SOLE AND EXCLUSIVE REMEDY UNDER THIS WARRANTY. VENTS US SHALL NOT BE LIABLE FOR INCIDENTAL, CONSEQUENTIAL OR SPECIAL DAMAGES ARISING OUT OF OR IN CONNECTION WITH PRODUCT USE OR PERFORMANCE.

Some states do not allow the exclusion or limitations of incidental or consequential damages, so the above limitation or exclusion may not apply to you. This warranty gives you specific legal rights, and you may also have other rights which vary from state to state. This warranty supersedes all prior warranties.

If proof of sales date is absent, warranty period is calculated from the production date.

The unit can be exchanged at the following address:

Bodor Vents, LLC

1013 Kenwood Road Cincinnati, Ohio 45242

Phone: (513) 348-3853

e-mail: sales@ventsus.com

Please follow guidelines in this manual for product problem-free operation.

The VENTS VKP PS Series dryer booster fan has been specially designed to solve dryer vent problems where more airflow is needed.

The VENTS VKP PS dryer booster fans assure efficient and reliable operation. The pre-installed pressure switch allows the VKP PS fan to run only when it senses that the dryer is on. The controller cycles the fan until the dryer has stopped. The fans are fitted with backward curved centrifugal impeller, which allows lint not to get stuck in the fan. The VENTS VKP PS fans are driven by powerful sealed external rotor motor with lifelong bearings and thermal protection. This powerful combination enables the VENTS VKP PS fans to deliver exceptional airflow performances even in long duct runs. The fan housing is made of galvanized steel. The external rotor motor on ball bearings and the backward curved, balanced impeller is suitable for high pressure application, prevent vibration and assure quiet operation.

Each set contains:

1. Fan - 1 piece;
2. User's manual - 1 piece;
3. Packing box - 1 piece;

Specification:

Voltage: 120 V, 60 Hz

Motor: Single-phase external rotor motor with backward curved centrifugal impellers

Duct compatibility: Ø 5" (125 mm)

Airflow capacity: up to 212 CFM

Power consumption: 67 W

Suitable for working airstreams up to 149 °F

IPX4 protection

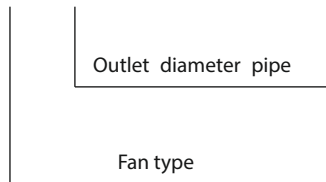
Thermal overload protection

Pressure switch, mounting bracket and power cord included in the delivery.

The fan design is constantly being improved, so some models can slightly differ from those ones described in the manual.

## DESIGNATION KEY

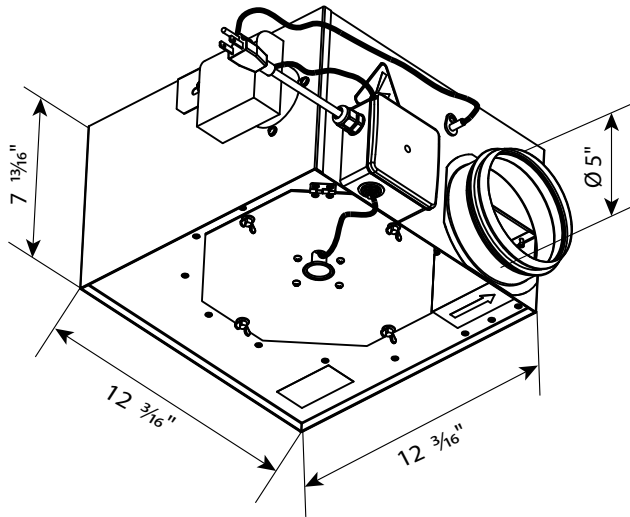
### VKP PS 125



Understanding model number:

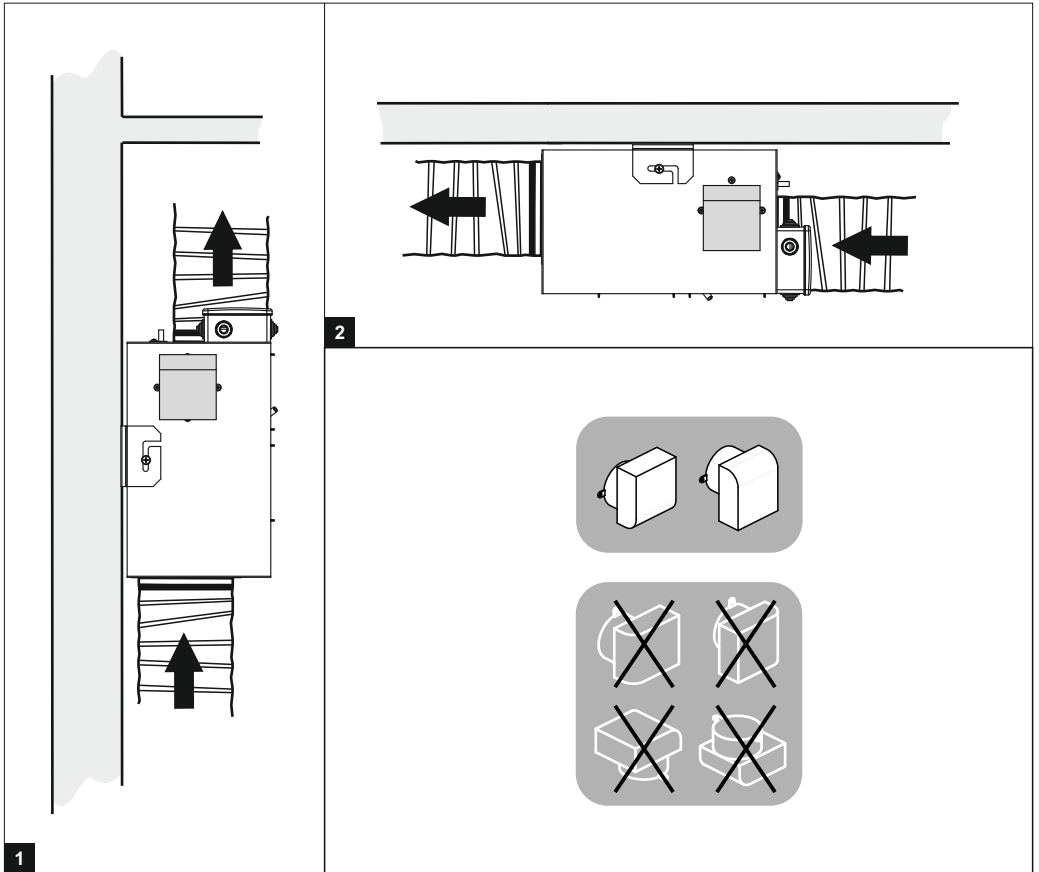
A rectangular shaped inline fan enclosed in a galvanized steel case, designed for mounting in ventilation stacks with diameter of 5" (125 mm), supplied with one inlet pipe with diameter of 5" (125 mm) VKP PS 125.

## Dimensions



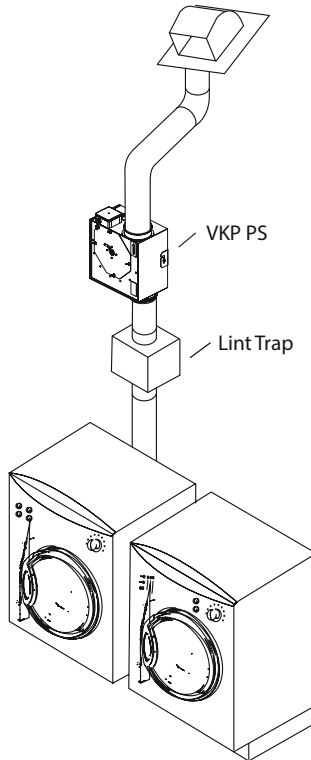
## Typical installation

Different variants of wall and ceiling mounting of vertical and horizontal fans are shown in Fig. 1-2.



## Typical installation

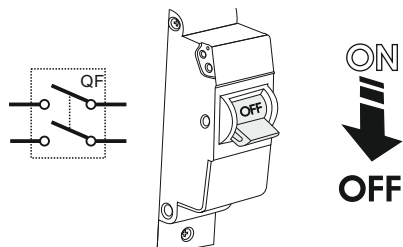
Install a lint trap between the clothes dryer and the fan to increase the service life and maintenance periodicity of VKP PS. Clean the lint trap as required.



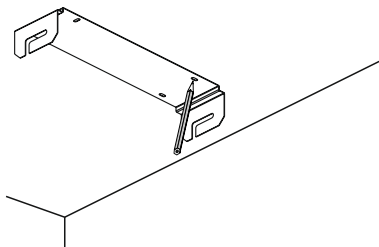
## Fan installation

The process of fan mounting with the use of a bracket together with four screws and dowels is shown in Fig. 4-8.

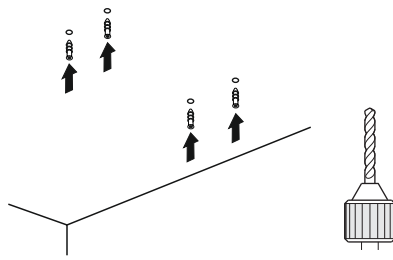
4



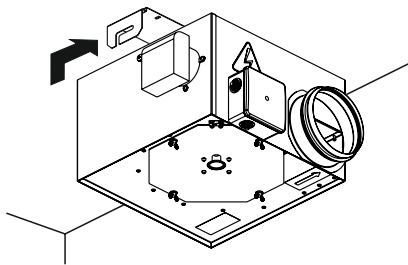
5



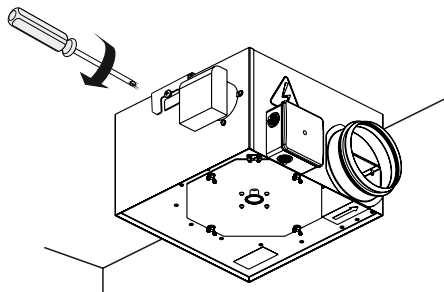
6



7



8

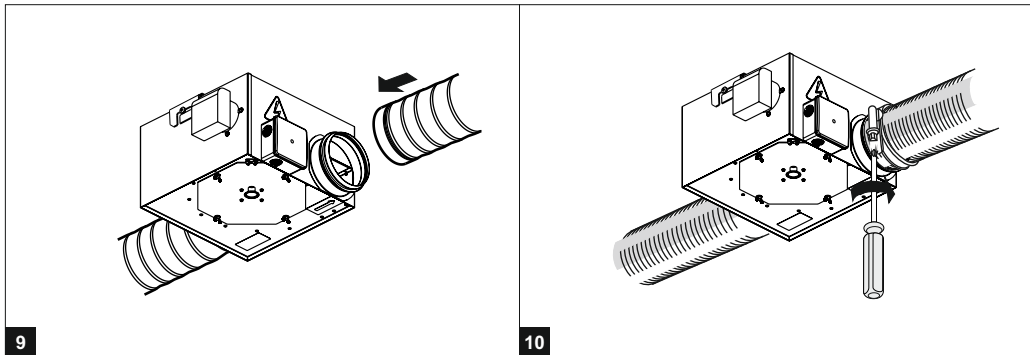




## Fan installation

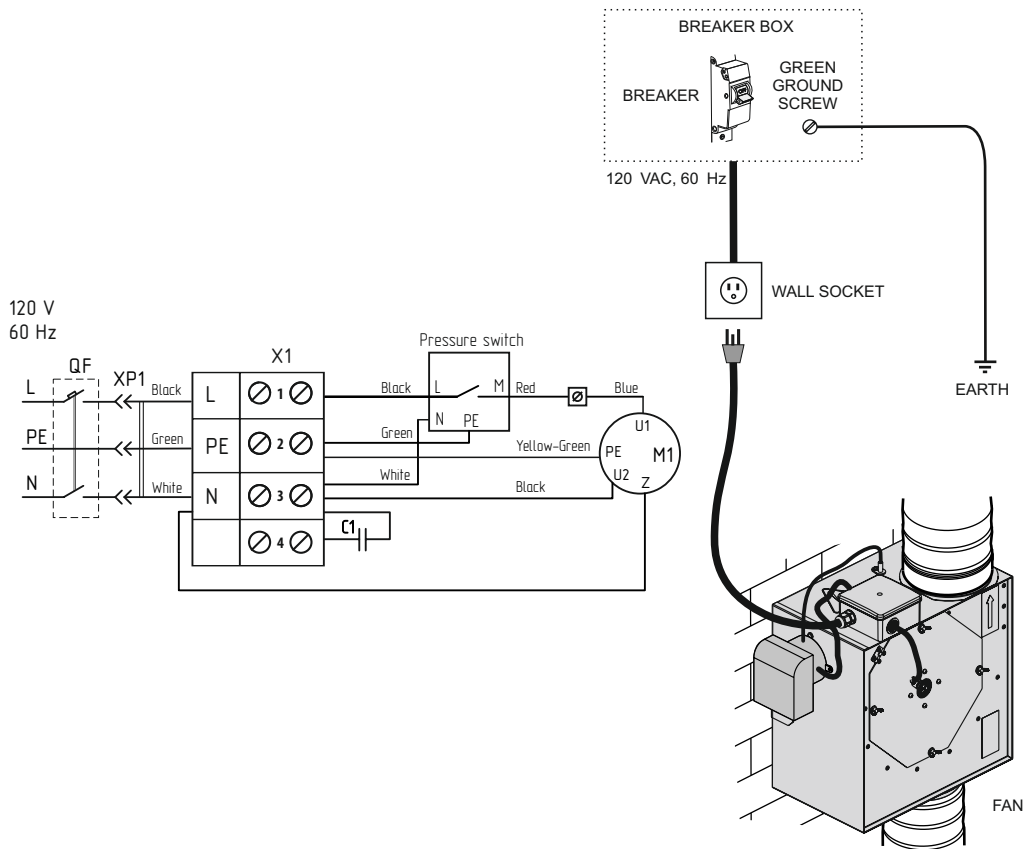
The process of ventilation stack installation is shown in Fig. 9-10.

Air flow direction should match the direction of an arrowhead placed on the fan case.



To ensure quiet operation of ENERGY STAR qualified inline fans, each fan shall be installed using sound attenuation techniques appropriate for the installation. Insulated flexible type duct work (recommended for all bathroom exhaust applications) will result in quieter operation. We recommend minimum 8" of insulated flexible duct between any exhaust grill and fan for low noise level. Flexible duct should be connected to the fan with hose clamps (VENTS C series is recommended), aluminum foil tape or both. All connections should be as airtight as possible to maximize system performance and eliminate air leakage. When using flexible type duct work, duct should be as tight and straight as possible. In case you intend to use non-flexible ducts we recommend to install flexible connectors (VENTS VVG series is highly recommended) which are designed to exclude the vibration transmission from fans to an air duct. Remove any insulation from the area where you will be mounting the fan. Insulation should never be installed over any part of an exhaust fan. Keep the insulation at least 3" away from the fan case.

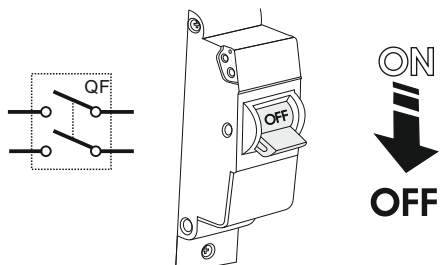
## Fan connection



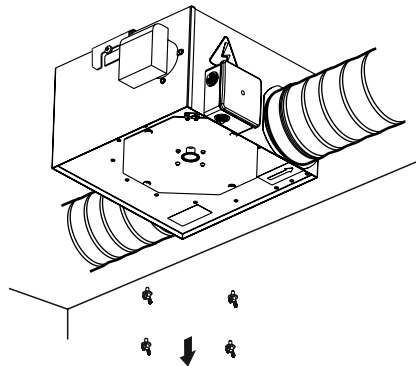
## Fan cleaning

The fan surfaces need to be cleaned from dirt and dust regularly by using a soft, wet cloth and mild detergent (Fig. 11-14). Do not allow liquids to come in contact with the electric motor. Wipe surfaces dry after cleaning.

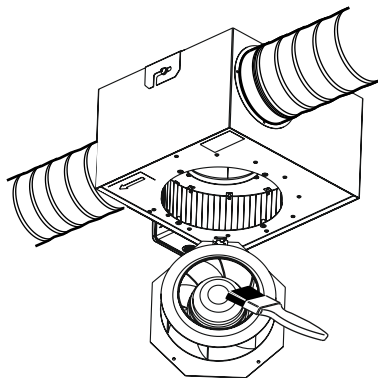
11



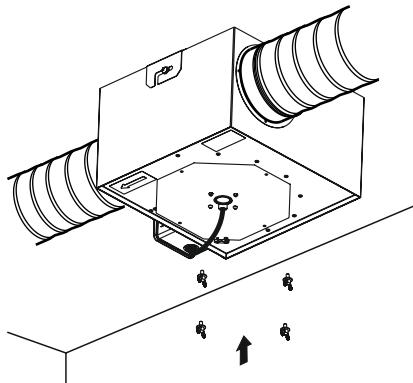
12



13



14



ACCEPTANCE CERTIFICATE

VKP PS 125



The fan has been duly certified as serviceable.

Approval mark

Manufactured on (date):

Sold  
(name of trading enterprise, stamp of store)

Date of sale

V128EN-01(USA\_120)

