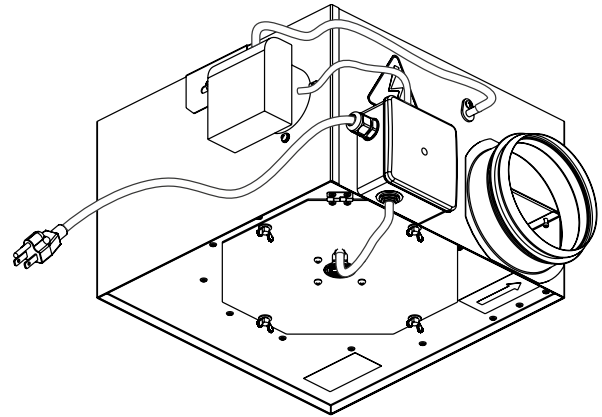


INLINE CENTRIFUGAL FAN

VKP PS 125



Tools required



Pencil



Drill
Ø 1/4"



Screwdriver



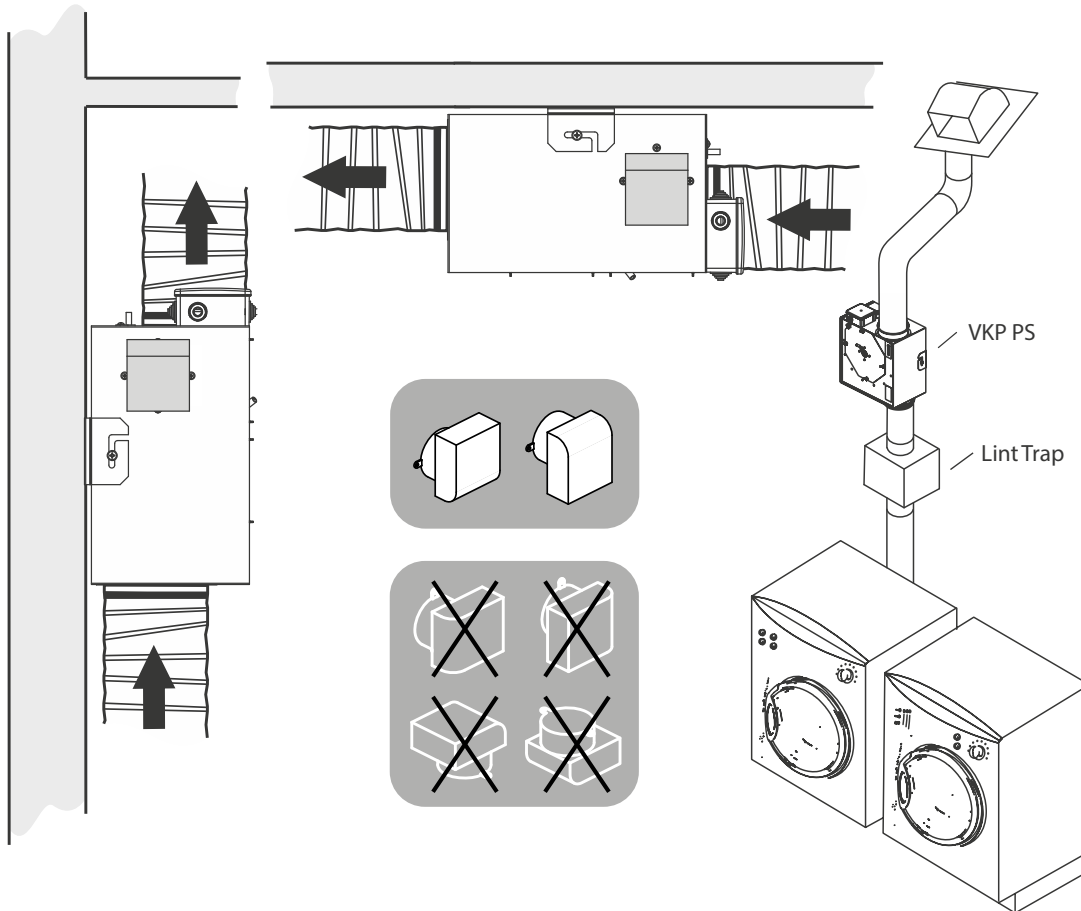
Anchor 4 pcs
NTW 1/4" x 1 3/8"



Screws 4 pcs
#14 x 1 3/8"

MOUNTING

Typical Fan installation



Install a lint trap between the clothes dryer and the fan to increase the service life and maintenance periodicity of VK PS. Clean the lint trap as required.

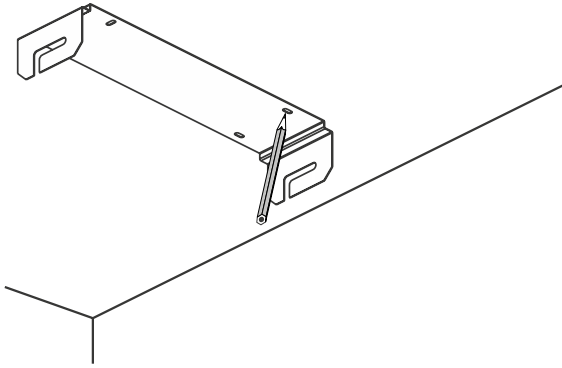


www.vents-us.com

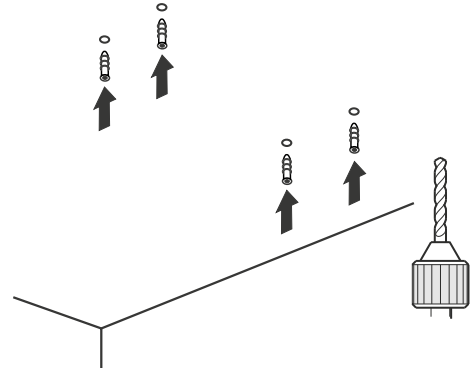
Vents-US
400 Murray Road, Cincinnati, OH 45217, USA
Tel: 1-888-640-0925, 513-583-5786, Fax: 513-268-4597
E-mail: support@ventsus.com

The process of fan mounting with the use of a bracket together with four screws and dowels is shown in Fig. 1-4.

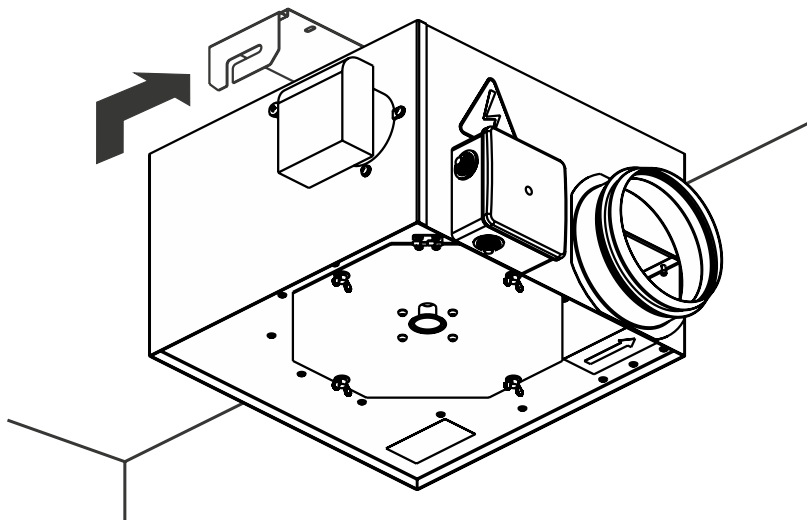
1. Mark fastening holes



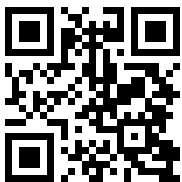
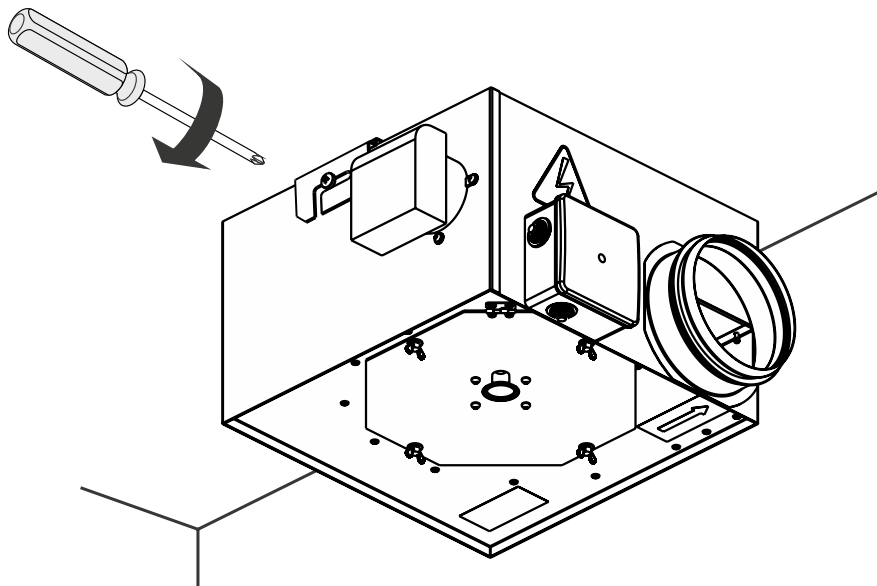
2. Drill fastening holes



3. Install the casing on the mounting bracket

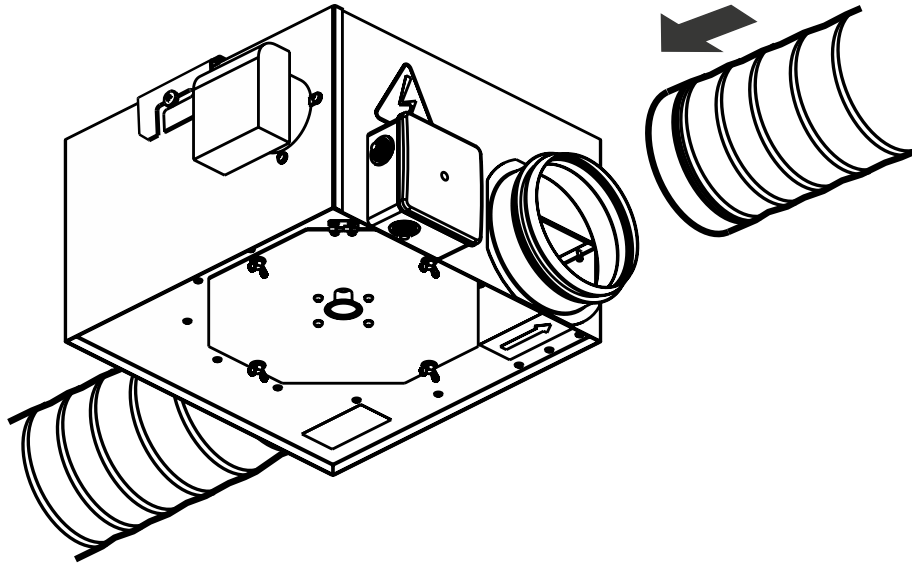


4. Tighten the screws

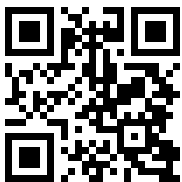
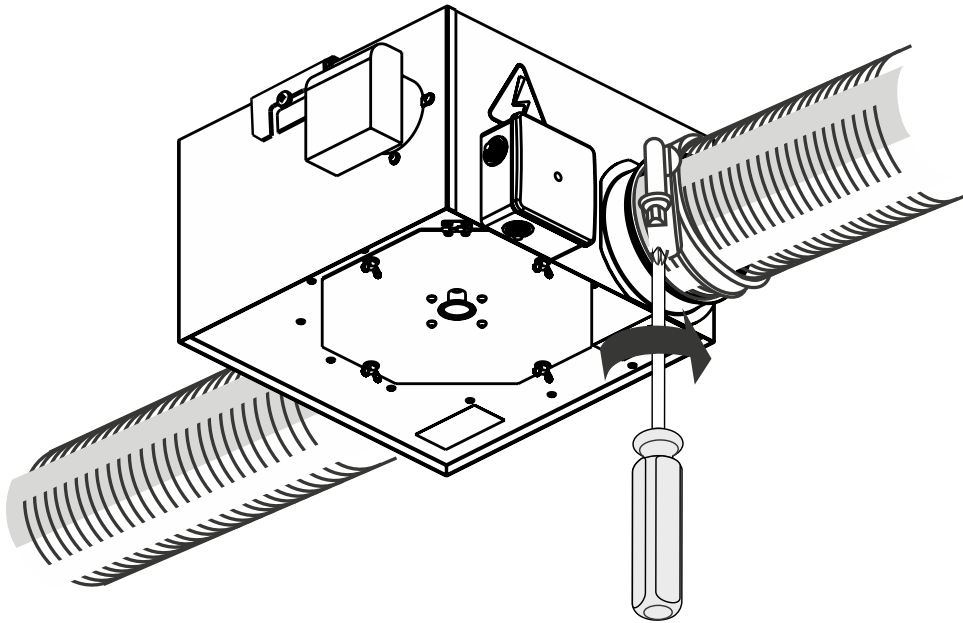


The process of ventilation stack installation is shown in Fig. 5-6. Air flow direction should match the direction of an arrowhead placed on the fan case

5. Connect air ducts



6. Fix air ducts with clamps



Fan connection

