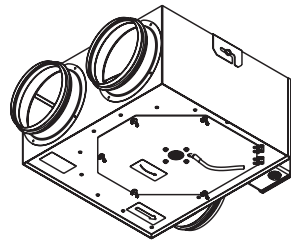


DESCRIPTION

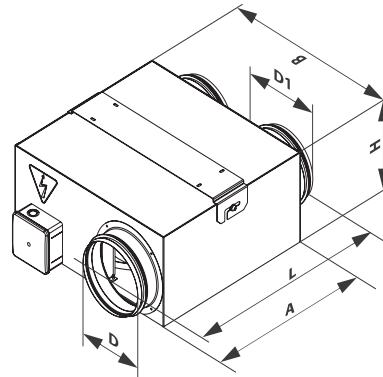
VKPF series fans are specially designed for extract and input ventilation and are perfect air movement solution for areas with tight spaces. It provides airflow up to 267 CFM (VKPF 125/125*2). Fans is suitable for a wide range of residential and light commercial applications such as high-rise condominium, office buildings, schools, boardrooms etc. The fans offer a variety of choices of extract and input ventilation options and enables ducting from multiple sources.

DIMENSIONS

Model	Measurements [in.]					
	D"	D1"	A"	B"	L"	H"
VKPF 125/125*2	5	5	0.29/32	11 1/8	14 5/8	7 1/2



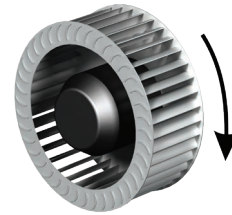
VKPF 125/125*2



EXCELLENT AERODYNAMICS & LOW NOISE

The external rotor motor on ball bearings and the forward curved, balanced impeller is suitable for high pressure application, prevent vibration and assure quiet operation.

HOUSING



The fan's housing is made of galvanized steel. Available with two inlets.

INSTALLATION BENEFITS

Suitable for low ceilings and tight spaces.

PERFORMANCE

Model	Duct dia	Max Watts*	Max Amps*	Sones	CFM vs. Static Pressure (Ps) in WG										Max. Ps	Volts / Hz	
					0"	0.1"	0.2"	0.3"	0.4"	0.5"	0.6"	0.7"	0.8"	0.9"			1"
					VKPF 125/125*2	5"	80	0.68	3.5	267	256	246	234	216			195

* Indicated at 0.2 in.W.G.

MODEL	QUANTITY	COMMENTS	PROJECT
			location:
			architect:
			engineer:
			contractor:
			submitted by: