

# Micra 60

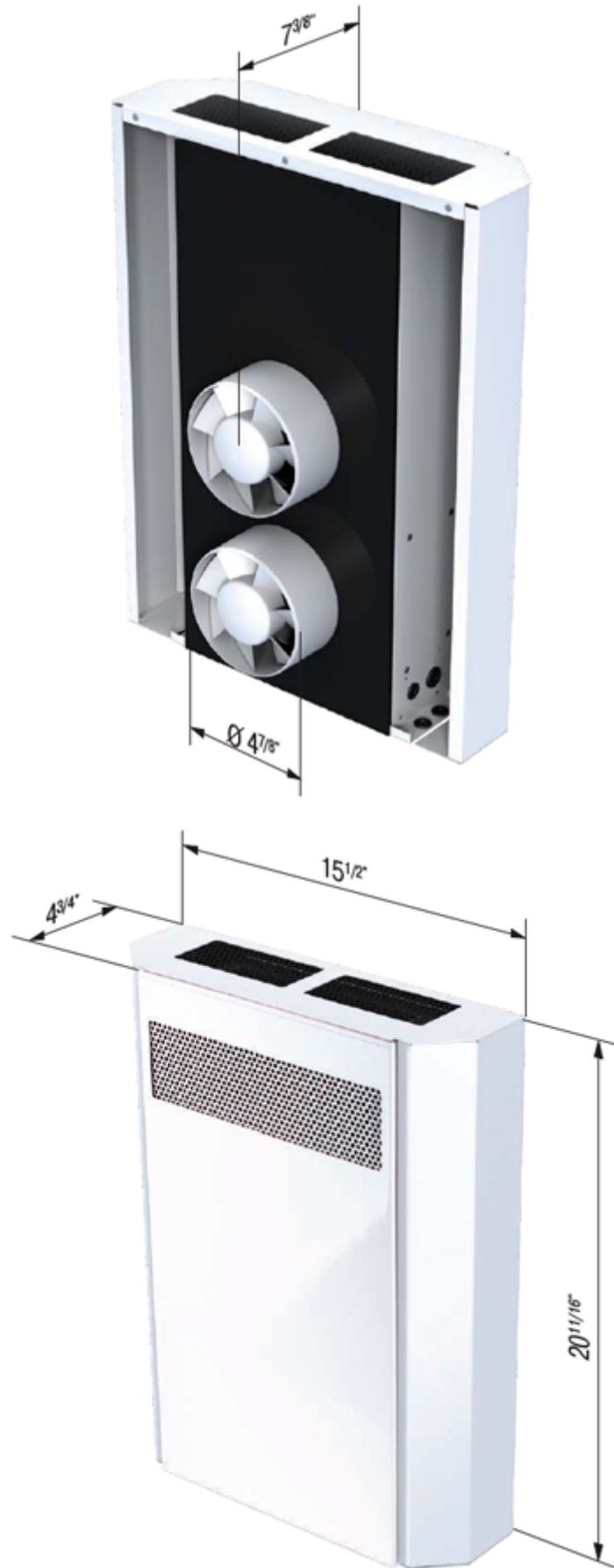


The Micra 60 is an advanced single-room heat recovery ventilator designed to efficiently serve larger spaces, such as apartments, cottages, tiny homes and small commercial premises. This unit operates independently, eliminating the need for connection to air ducts, making installation straightforward and hassle-free. Offering a highly effective solution for heat recovery, the Micra 60 ensures optimal ventilation and energy savings in a single, compact system

- Motor type: EC
- Bypass: Auto
- Casing material: Coated steel
- Humidity sensor: Optional
- CO2 sensor: Optional
- VOC sensor: Optional
- PM2.5 sensor: Optional
- Temperature sensor: Built-in
- Sound pressure level LpA at 10 ft

	Unit of measurement	Micra 60		
Connected air duct size	in	5"		
Speed	-	3		
Minimum supply voltage	V	100		
Maximum supply voltage	V	240		
Power supply frequency	Hz	50/60		
Rated power	W	4.2	9.6	15.4
Maximum unit current	A	0.02	0.04	0.07
Maximum performance @0.1"	CFM	17.7	26.5	35.3
Heat recovery efficiency, max	%	79		
Ingress protection rating	-	IP22		
Sound pressure level LpA at 10 ft	Sones	0.38	0.42	1.0

## Dimensions



## Accessories

### Other accessories

Name	Photo	Description
MK2 Micra 60		Mounting kit