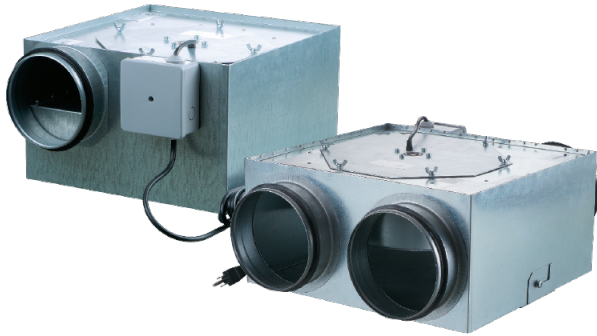


VKP 125/125*2

VKP/VKPF fans are specially designed for extract and input ventilation and are perfect air movement solution for areas with tight spaces

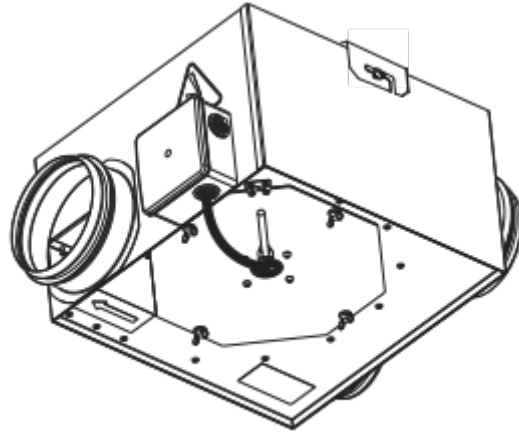
- Motor type: AC
- Impeller type: Centrifugal backward curved blades
- Casing material: Coated steel
- Installation in any position
- Sound pressure level LpA at 10 ft: 4.5



	Unit of measurement	VKP 125/125*2	
Connected air duct size	in	5"	5"
Speed	-	1	
Minimum supply voltage	V	120	
Maximum supply voltage	V	120	
Power supply frequency	Hz	60	
Rated power	W	74	
Maximum unit current	A	0.61	
Maximum performance @0.1"	CFM	244	
Ingress protection rating	-	IPX4	
Sound pressure level LpA at 10 ft	Sones	4.5	

Dimensions

ØD	ØD1	A	L	B	H
5"	5"	19 19/64"	16 3/16"	12 3/16"	7 1/2"



Twin intake fan

